

box terminal 3 units accessory for: 3VA2 250







Model	
Product brand name	SENTRON
Product designation	accessories
Accessories	Box terminal
General technical data	
Designation / of the terminal	TS1.4
Connections according IEC	
IEC-marking / of terminals	NXB 25-185 mm ² AWG4-350 kcmil
Connectable conductor cross-section	
<ul style="list-style-type: none"> • for copper cable / stranded / minimum • for copper cable / stranded / maximum 	25 mm ² 185 mm ²
Type of connectable conductor cross-sections / of the laminated conductor rails	
<ul style="list-style-type: none"> • minimum • maximum 	4 6 x 15.5 mm x 0.8 mm 4 - 6x 20 mm x 1 mm
Wire stripping length	20 mm

Connections according UL

UL-marking / of terminals	TS1.4 Xuebote
Wire stripping length	0.8 in
Connectable conductor cross-section <ul style="list-style-type: none"> • for copper cable / stranded / minimum • for copper cable / stranded / maximum • for copper cable / finely stranded / minimum • for copper cable / finely stranded / maximum • for copper cable / finely stranded / with core end processing / minimum • for copper cable / finely stranded / with core end processing / maximum 	4 AWG 350 kcmil 4 AWG 350 kcmil 4 AWG 350 kcmil
Tightening torque / when using copper cables <ul style="list-style-type: none"> • stranded • finely stranded 	4 - 1 AWG: 70 lb-in 1/0 - 350 kcmil: 140 lb-in 4 - 1 AWG: 70 lb-in 1/0 - 350 kcmil: 140 lb-in

Certificates

General Product Approval	EMC	Declaration of Conformity	Shipping Approval	other
Miscellaneous				
	RCM	EG-Konf.	LRS	Manufacturer Declaration

other

[Confirmation](#) [Miscellaneous](#)

Further information

Information- and Downloadcenter (Catalogs, Brochures,...)

<http://www.siemens.com/lowvoltage/catalogs>

Industry Mall (Online ordering system)

<https://mall.industry.siemens.com/mall/en/en/Catalog/product?mlfb=3VA9263-0JA12>

Service&Support (Manuals, Certificates, Characteristics, FAQs,...)

<https://support.industry.siemens.com/cs/ww/en/ps/3VA9263-0JA12>

Image database (product images, 2D dimension drawings, 3D models, device circuit diagrams, ...)

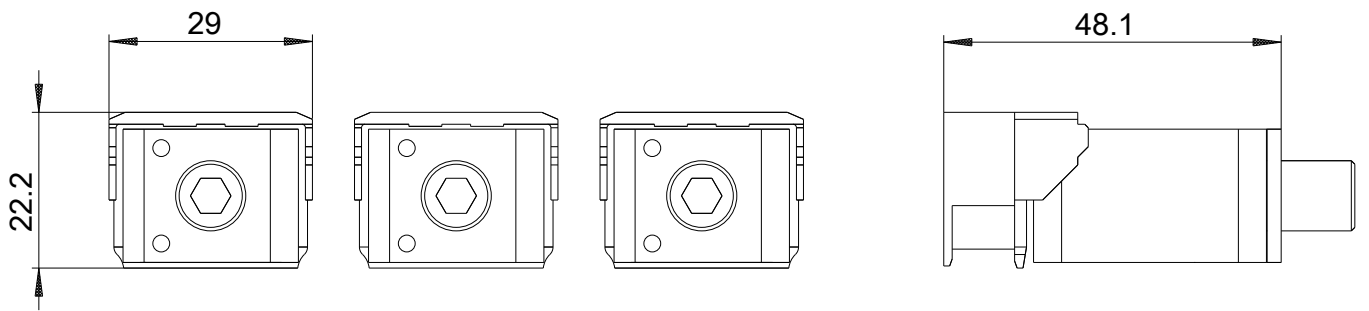
http://www.automation.siemens.com/bilddb/cax_en.aspx?mlfb=3VA9263-0JA12

CAX-Online-Generator

<http://www.siemens.com/cax>

Tender specifications

<http://www.siemens.com/specifications>



last modified:

08/08/2020