





wire connector 3 units accessory for: 3VA2 100/160/250



Model	
Product brand name	SENTRON
Product designation	accessories
Accessories	Wire connector
General technical data	
Designation / of the terminal	TA1.4
Connections according IEC	
IEC-marking / of terminals	16-185 mm ² CU/AL NNL
Connectable conductor cross-section	
<ul style="list-style-type: none"> • for copper cable / stranded / minimum • for copper cable / stranded / maximum • for aluminum cable / solid / minimum • for aluminum cable / solid / maximum • for aluminum cable / stranded / minimum • for aluminum cable / stranded / maximum 	16 mm ² 185 mm ² 16 mm ² 16 mm ² 16 mm ² 185 mm ²
Wire stripping length	20 mm

Tightening torque / when using copper cables	
<ul style="list-style-type: none"> • solid 	16 mm ² : 15.8 Nm
Connetctions according UL	
UL-marking / of terminals	TA1.4 CMC 6-350 CU7AL UR CSA
Permissible temperature / of connectable conductor / according to UL 486A-486B	75 °C
Wire stripping length	0.8 in
Connectable conductor cross-section	
<ul style="list-style-type: none"> • for copper cable / stranded / minimum • for copper cable / stranded / maximum • for copper cable / finely stranded / minimum • for copper cable / finely stranded / maximum • for copper cable / finely stranded / with core end processing / minimum • for copper cable / finely stranded / with core end processing / maximum • for aluminum cable / stranded / minimum • for aluminum cable / stranded / maximum 	6 AWG 350 kcmil 6 AWG 350 kcmil 16 120 6 AWG 350 kcmil
Tightening torque / when using copper cables	
<ul style="list-style-type: none"> • stranded • finely stranded 	6 - 2 AWG: 140 lb-in, 1 AWG - 350 kcmil: 275 lb-in 6 - 2 AWG: 140 lb-in, 1 AWG - 350 kcmil: 275 lb-in

Certificates

General Product Approval	EMC	Declaration of Conformity	Shipping Approval	other
Miscellaneous 	 RCM	 EG-Konf.	 LRS	Manufacturer Declaration

other
Miscellaneous

Further information

Information- and Downloadcenter (Catalogs, Brochures,...)

<http://www.siemens.com/lowvoltage/catalogs>

Industry Mall (Online ordering system)

<https://mall.industry.siemens.com/mall/en/en/Catalog/product?mlfb=3VA9263-0JB12>

Service&Support (Manuals, Certificates, Characteristics, FAQs,...)

<https://support.industry.siemens.com/cs/ww/en/ps/3VA9263-0JB12>

Image database (product images, 2D dimension drawings, 3D models, device circuit diagrams, ...)

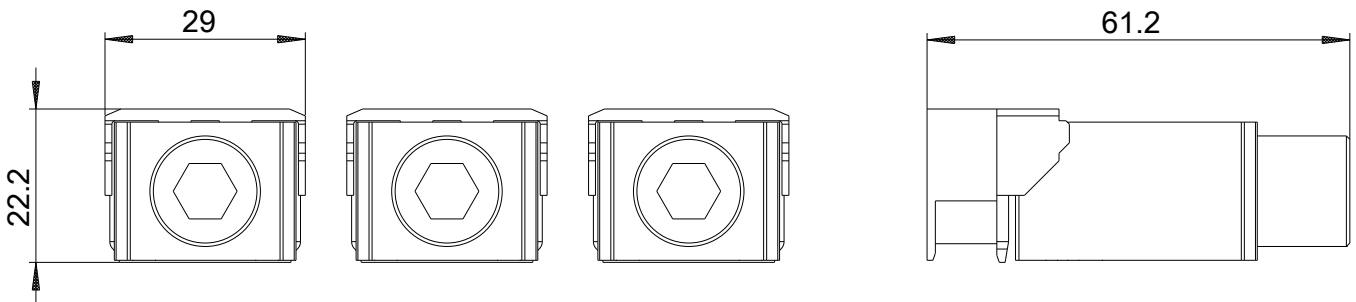
http://www.automation.siemens.com/bilddb/cax_en.aspx?mlfb=3VA9263-0JB12

CAX-Online-Generator

<http://www.siemens.com/cax>

Tender specifications

<http://www.siemens.com/specifications>



last modified:

08/08/2020