

## Hlavní parametry

Typ produktu nebo součásti	Společný (common) režim výstupního filtru
Kompatibilní řada	Altivar Process ATV600 Altivar Process ATV900 Altivar Machine ATV340
Indukčnost	180 µH
Kompatibilita	Variable speed drive ATV630 wall mount, motor: 15...90 kW, 380...480 V Variable speed drive ATV650 wall mount, motor: 15...90 kW, 380...480 V Variable speed drive ATV930 wall mount, motor: 15...90 kW, 380...480 V Variable speed drive ATV950 wall mount, motor: 15...90 kW, 380...480 V Variable speed drive ATV630 wall mount, motor: 7.5...45 kW, 200...240 V Variable speed drive ATV930 wall mount, motor: 7.5...45 kW, 200...240 V

## Doplněk

Délka motor. kabelu	<= 150 m (shielded cable) motor: 30...90 kW 380...480 V, with 1 filter <= 300 m (unshielded cable) motor: 15...90 kW 380...480 V, with 1 filter <= 300 m (shielded cable) motor: 30...90 kW 380...480 V, with 1 filter + VW3A5503 <= 500 m (unshielded cable) motor: 30...90 kW 380...480 V, with 1 filter + VW3A5503 <= 500 m (shielded cable) motor: 15...22 kW 380...480 V, with 1 filter + VW3A5503 <= 500 m (shielded cable) motor: 30...90 kW 380...480 V, with 2 filter <= 1000 m (unshielded cable) motor: 15...22 kW 380...480 V, with 1 filter + VW3A5503 <= 1000 m (unshielded cable) motor: 30...90 kW 380...480 V, with 2 filter <= 150 m (shielded cable) motor: 15...45 kW 200...240 V, with 1 filter <= 300 m (unshielded cable) motor: 7.5...45 kW 200...240 V, with 1 filter <= 300 m (shielded cable) motor: 15...45 kW 200...240 V, with 1 filter + VW3A5503 <= 500 m (unshielded cable) motor: 15...45 kW 200...240 V, with 1 filter + VW3A5503 <= 500 m (shielded cable) motor: 7.5...11 kW 200...240 V, with 1 filter + VW3A5503 <= 500 m (shielded cable) motor: 15...45 kW 200...240 V, with 2 filter <= 1000 m (unshielded cable) motor: 7.5...11 kW 200...240 V, with 1 filter + VW3A5503 <= 1000 m (unshielded cable) motor: 15...45 kW 200...240 V, with 2 filter
Saturační proud	2.2 A
Průměr	76 mm for 3-phase cable inside 76 mm for PE cable outside
Třída el. izolace	Třída I
Mechanická robustnost	Rázy podle IEC 60721-3-3 třída 3M4 Vibrace podle IEC 60721-3-3 třída 3M4
Spínací frekvence	<= 10 kHz
Výstupní frekvence	<= 100 Hz
Výška	210 mm
Šířka	127.5 mm
Hloubka	127.5 mm
Hmotnost přístroje	2,96 kg

## Životní prostředí

relativní vlhkost	5...95 % bez kondenzace
teplota okolního vzduchu pro provoz	-15...60 °C
teplota okolí pro uskladnění	-40...70 °C

## Nabídka udržitelosti

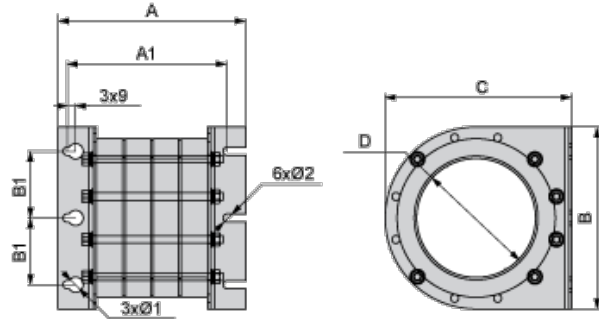
**Contractual warranty**

Záruční lhůta

18 měsíců

**Dimensions**

mm  
in.



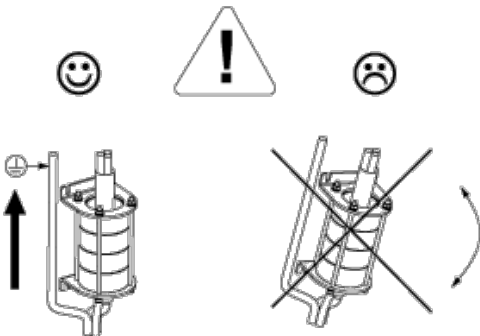
Dimensions in mm

A	A1	B1	Ø1	Ø2	B	C	D
210	187	45	13	6.5	127.5	127.5	75

Dimensions in in.

A	A1	B1	Ø1	Ø2	B	C	D
8.3	7.1	1.8	0.5	0.26	5.0	5.0	3.0

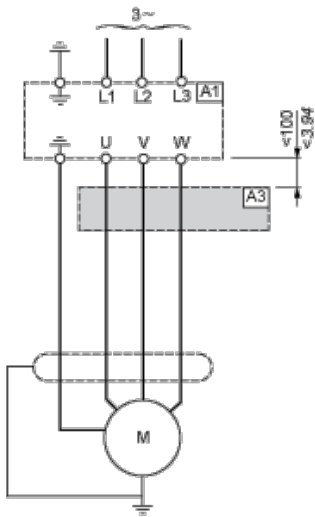
**Mounting Recommendations**



**Recommended Schema**

Connection at the Output Terminals of the Drive

mm  
in.

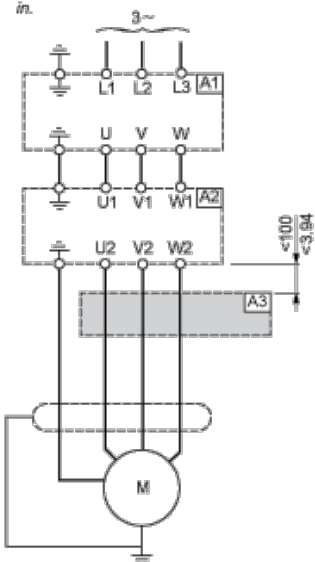


A1 : Drive

A3 : Common mode filter

### Connection at the Output Terminals of the dv/dt Filter or Sinus Filter

mm  
in.



A1 : Drive

A2 : dv/dt or sinus filter

A3 : Common mode filter