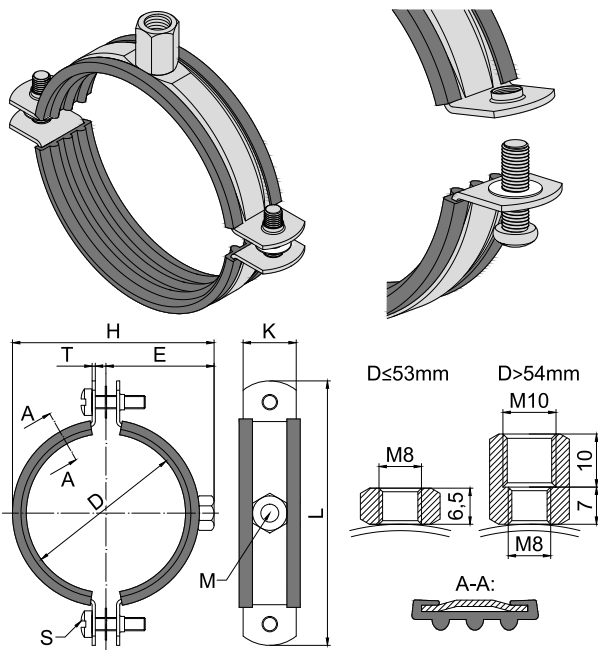


## OBJÍMKA DVOUŠROBOVÁ NEREZOVÁ S UPÍNACÍ HLAVOU M8 NEBO M10 STAINLESS STEEL TWO-SCREW PIPE CLAMP WITH CLAMPING HEAD M8 OR WITH CLAMPING HEAD M10



### Popis:

Instalační objímka dvoušroubová je vyráběna od rozměru 12–16 mm do 60–64 mm s upevňovací hlavou M8. Od rozměru 67–71 mm do 210–219 mm s upevňovací hlavou M10. Používá se do prostorů s vyššími nároky na protikorozní ochranu.

### Description:

Two-screw pipe clamps are produced with M8 clamping head from dimension 12–16 mm to 60–64 mm and with M10 clamping head from dimension 67–71 mm to 210–219 mm. It is used in areas with higher requirements for corrosion protection.

### Použití:

- ocelové potrubí
- plastové potrubí
- litinové roury
- měděné potrubí
- nerezové potrubí

### Use:

- steel pipes
- plastic pipes
- cast iron pipes
- copper pipes
- stainless steel pipes

### Odvětví:

- voda, topení, plyn
- rozvody vzduchotechniky a klimatizace
- odpadní potrubí

### Field:

- water, heat, gas
- ventilation and air conditioning
- waste pipes

### Technické údaje objímky / Technical data of pipe clamp:

Materiál objímky / Pipe clamp material: nerez V2A (1.4301) / stainless steel V2A (1.4301)  
nerez V4A (1.4401) / stainless steel V4A (1.4401)

### Technické údaje pryžové tlumící vložky / Technical data of rubber lining:

Materiál / Material: EPDM  
Chování při požáru / Reaction to fire: dle DIN 4102:1998  
třída stavebních hmot B2 / class of building materials B2  
Použití v rozmezí teplot / Use in the temperature range: od/ from -50 °C do/ to +120 °C  
Tvrdość pryžové vložky / Hardness of rubber lining: 45° ± 5 Shore A / 15s  
Ochrana proti hluku / Noise protection: DIN 4109

| Obj. číslo<br>Supply No.<br>nerez / V2A / stainless | Obj. číslo<br>Supply No.<br>nerez / V4A / stainless | Název<br>Name   | Průměr potrubí<br>Diameter of pipe<br>D (mm) D (") | E<br>(mm) | H<br>(mm) | K<br>(mm) | L<br>(mm) | M<br>Matice<br>Nut | S<br>Šroub<br>Screw | T<br>(mm) | Balení<br>Package<br>(ks/pcs) |
|---|---|---|--|-----------|-----------|-----------|-----------|--------------------|---------------------|-----------|-------------------------------|
| 15001216  | 15101216  | Objímka dvoušroubová / Two-screw pipe clamp / M8, 12–16 mm, 1/4"    | 12–16 1/4"   | 8         | 20,2      | 33,9      | 20        | 55                 | M8                  | M5x20 mm  | 1,2 100                       |
| 15001719  | 15101719  | Objímka dvoušroubová / Two-screw pipe clamp / M8, 17–19 mm, 3/8"    | 17–19 3/8"   | 10        | 21,7      | 36,9      | 20        | 58                 | M8                  | M5x20 mm  | 1,2 100                       |
| 15002023  | 15102023  | Objímka dvoušroubová / Two-screw pipe clamp / M8, 20–23 mm, 1/2"    | 20–23 1/2"   | 15        | 23,7      | 40,9      | 20        | 61                 | M8                  | M5x20 mm  | 1,2 100                       |
| 15002530  | 15102530  | Objímka dvoušroubová / Two-screw pipe clamp / M8, 25–30 mm, 3/4"    | 25–30 3/4"   | 20        | 27,2      | 47,9      | 20        | 67                 | M8                  | M5x20 mm  | 1,2 100                       |
| 15003138  | 15103138  | Objímka dvoušroubová / Two-screw pipe clamp / M8, 31–38 mm, 1"      | 31–38 1"   | 25        | 31,2      | 55,9      | 20        | 78                 | M8                  | M5x20 mm  | 1,2 100                       |
| 15004046  | 15104046  | Objímka dvoušroubová / Two-screw pipe clamp / M8, 40–46 mm, 5/4"    | 40–46 5/4"   | 32        | 35,2      | 63,9      | 20        | 86                 | M8                  | M5x20 mm  | 1,2 100                       |
| 15004853  | 15104853  | Objímka dvoušroubová / Two-screw pipe clamp / M8, 48–53 mm, 6/4"    | 48–53 6/4"   | 40        | 38,7      | 70,9      | 20        | 94                 | M8                  | M5x20 mm  | 1,2 50                        |
| 15005459  | 15105459  | Objímka dvoušroubová / Two-screw pipe clamp / M8, 54–59 mm          | 54–59 -  | -         | 41,7      | 76,9      | 20        | 101                | M8                  | M5x22 mm  | 1,2 50                        |
| 15006064  | 15106064  | Objímka dvoušroubová / Two-screw pipe clamp / M8, 60–64 mm, 2"      | 60–64 2"   | 50        | 44,5      | 82,5      | 20        | 110                | M8                  | M5x22 mm  | 1,5 50                        |
| 15006771  | 15106771  | Objímka dvoušroubová / Two-screw pipe clamp / M10, 67–71 mm         | 67–71 -  | -         | 48,0      | 89,5      | 20        | 115                | M10                 | M5x22 mm  | 1,5 50                        |
| 15007278  | 15107278  | Objímka dvoušroubová / Two-screw pipe clamp / M10, 72–78 mm, 2 1/2" | 72–78 2 1/2"                                       | 65        | 52,5      | 98,5      | 25        | 125                | M10                 | M6x20 mm  | 1,5 50                        |
| 15008186  | 15108186  | Objímka dvoušroubová / Two-screw pipe clamp / M10, 81–86 mm         | 81–86 -  | -         | 56,5      | 106,5     | 25        | 137                | M10                 | M6x20 mm  | 1,5 50                        |
| 15008792  | 15108792  | Objímka dvoušroubová / Two-screw pipe clamp / M10, 87–92 mm, 3"     | 87–92 3"   | 80        | 59,5      | 112,5     | 25        | 143                | M10                 | M6x20 mm  | 1,5 50                        |
| 15009510  | 15109510  | Objímka dvoušroubová / Two-screw pipe clamp / M10, 95–103 mm        | 95–103 -   | -         | 65,0      | 123,5     | 25        | 155                | M10                 | M6x25 mm  | 1,5 50                        |
| 15101106  | 15111106  | Objímka dvoušroubová / Two-screw pipe clamp / M10, 102–116 mm, 4"   | 102–116 4"   | 100       | 72,0      | 137,5     | 25        | 170                | M10                 | M6x30 mm  | 2,0 50                        |
| 15101121  | 15112112  | Objímka dvoušroubová / Two-screw pipe clamp / M10, 121–127 mm       | 121–127 -  | -         | 78,0      | 149,5     | 25        | 186                | M10                 | M8x30 mm  | 2,5 25                        |
| 15101133  | 15113942  | Objímka dvoušroubová / Two-screw pipe clamp / M10, 133–142 mm, 5"   | 133–141 5"   | 125       | 85,0      | 163,5     | 25        | 200                | M10                 | M8x30 mm  | 2,5 25                        |
| 15101159  | 15116468  | Objímka dvoušroubová / Two-screw pipe clamp / M10, 159–168 mm, 6"   | 159–168 6"   | 150       | 98,5      | 190,5     | 25        | 230                | M10                 | M8x30 mm  | 2,5 25                        |
| 15101193  | -   | Objímka dvoušroubová / Two-screw pipe clamp / M10, 193–203 mm       | 193–203 -  | -         | 116,0     | 225,5     | 25        | 245                | M10                 | M8x30 mm  | 2,5 15                        |
| 15101204  | -   | Objímka dvoušroubová / Two-screw pipe clamp / M10, 204–210 mm       | 204–210 -  | -         | 119,5     | 232,5     | 25        | 285                | M10                 | M8x30 mm  | 2,5 12                        |
| 15101210  | 15121021  | Objímka dvoušroubová / Two-screw pipe clamp / M10, 210–219 mm, 8"   | 210–219 8"   | 200       | 124,0     | 241,5     | 25        | 285                | M10                 | M8x30 mm  | 2,5 12                        |

Možno dodat také v provedení bez tlumící vložky. / Can also be supplied in a version without rubber lining.

### Montážní postup / Mounting procedure:

