

Datový list | Objednací číslo: 2016-499

Redukční můstek; Izolováno; Ze 16/10 mm² na 10/6/4/2,5 mm²; Jmenovitý proud 57 A; Světle šedá

www.wago.com/2016-499



Data

Elektrické parametry

**Ratings per IEC/EN 60664-1**

Jmenovitý proud	57 A
-----------------	------

Údaje o materiálu

barva	Světle šedá
Požární zatížení	0.016 MJ
Hmotnost	3.27 g

Obchodní údaje

Product Group	22 (TOPJOB S)
Druh balení	bag
Country of origin	DE
GTIN	4044918317603
Customs Tariff No.	85366990990

Ke stažení**Documentation****Additional Information**

Technical explanations	03-Apr-2019	pdf 2,1 MB	Stáhnout
------------------------	-------------	---------------	----------

CAD/CAE-Data**CAD data**

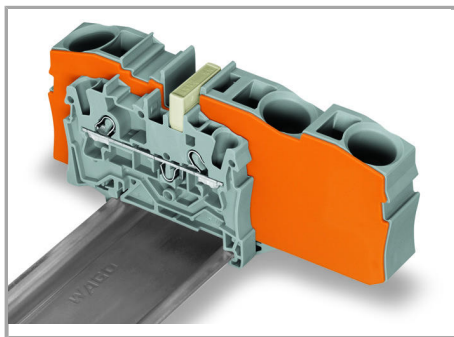
2D/3D Models 2016-499	URL	Stáhnout
-----------------------	-----	----------

CAE data

WSCAD Universe 2016-499	Stáhnout
-------------------------	----------

Handling Instructions

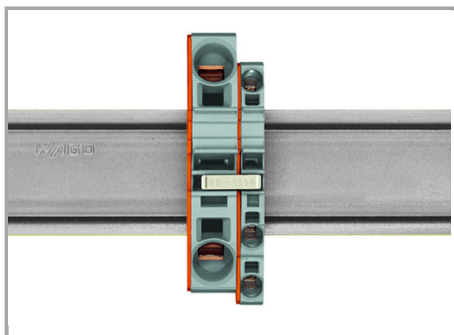
Jumpered



Step-down jumpers may common terminal blocks of different sizes, without losing a conductor clamping point. This can be beneficial on long conductor runs where voltage drops may be problematic. A large conductor can be easily connected to smaller conductors at the distribution point.

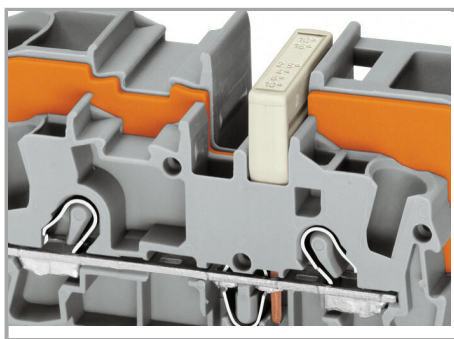
Commoning may be made in either direction using the special thin end plate to cover the open side. Additional through terminal blocks having a smaller cross-section may be commoned using push-in type jumper bars.

Jumpered



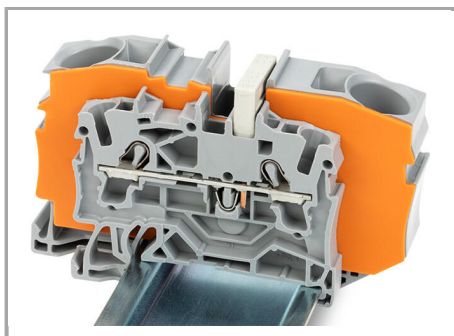
Using step-down jumpers, an end plate must be inserted between the terminal blocks to be commoned.

Jumpered



Commoning with a step-down jumper.

Jumpered



Step-down jumper (2016-499) commons 16 /10 mm² (16/8 AWG) terminal blocks (2016 /2010 Series) with 10/6/4/2.5 mm² (8/10/12 /14 AWG) terminal blocks (2010/2006/2004 /2002 Series).

Produktová rodina

TOPJOB® S

TOPJOB® S: In various industrial applications and modern building installations, WAGO's wide and versatile range of rail-mount terminal blocks provides more than just reliable electrical connections.

[Zobrazit všechny produkty z rodiny](#)

Změny vyhrazeny.

WAGO Elektro spol. sr. o.
Rozvodova 1116/36
143 00 Praha 12 - Modřany
Tel.: +420 261 090 143
Email: info.cz@wago.com, wago-cz@wago.com

Máte otázky ohledně našich produktů?
Kdykoli nám zavolejte na číslo +420 261 090 143.