

**TM  
Series**



**TM...Zn  
Series**



**Application**

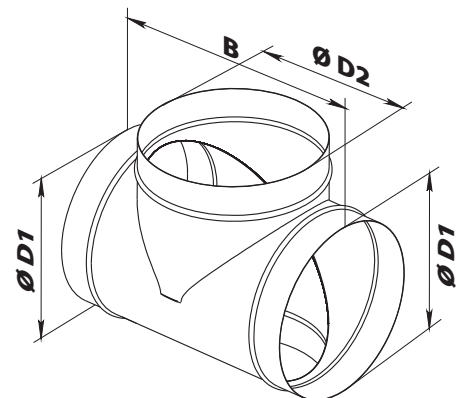
- For branch connections of the air ducts used in residential, public and industrial ventilation systems.
- For connection of various air ducts and their integration into complex ventilation systems.

**Design**

- Made of special steel with polymeric coating (**TM** series) or galvanized steel (**TM...Zn** series).
- The T-joint is designed for connection of 3 air ducts at 90° angle.
- The **TM 125/160** T-joint model is equipped with two á 125 mm flanges and one á 160 mm flange.
- Ventilation system components are fixed by clamps or any other fixing devices.

**Overall dimensions**

Model		Dimensions [mm]		
		D1	D2	B
TM 80	TM 80 Zn	80	80	170
TM 100	TM 100 Zn	100	100	190
TM 110	TM 110 Zn	110	110	200
TM 120	TM 120 Zn	120	120	210
TM 125	TM 125 Zn	125	125	215
TM 125/160	TM 125/160 Zn	125	160	215
TM 130	TM 130 Zn	130	130	220
TM 140	TM 140 Zn	140	140	230
TM 150	TM 150 Zn	150	150	240
TM 160	TM 160 Zn	160	160	250
TM 180	TM 180 Zn	180	180	260
TM 200	TM 200 Zn	200	200	300
TM 250	TM 250 Zn	250	250	350
TM 315	TM 315 Zn	315	315	415



**Accessories**

