

## KANTI V2LED

Svítlidlo typu "downlight"  
Svietidlo typu "downlight"



|                   |               |              |                |              |             |                 |
|-------------------|---------------|--------------|----------------|--------------|-------------|-----------------|
| [V]<br>220-240 AC | [Hz]<br>50/60 | [°]<br>110   | [lm]<br>≥20000 | [h]<br>15000 | [K]<br>4000 | <br>≤ 60 Hz/Adm |
| Ra<br>≥80         | SMD           | [°]          | [°]            | IP<br>20     |             | [°C]<br>5÷25    |
|                   |               | [mm]<br>0,05 | [mm]<br>0,75   | 0,5m         |             |                 |
|                   |               |              |                |              |             |                 |



|                       | [W]          |    | [mm]                           | [°]  | [K] |      |
|-----------------------|--------------|----|--------------------------------|------|-----|------|
| KANTI V2LED 12W-NW-SN | <b>27212</b> | 12 | nikl saténový / saténový nikel | 720  | 110 | 4000 |
| KANTI V2LED 18W-NW-SN | <b>27213</b> | 18 | nikl saténový / saténový nikel | 1200 | 110 | 4000 |
| KANTI V2LED 12W-NW-W  | <b>28950</b> | 12 | bílá / biela                   | 780  | 110 | 4000 |
| KANTI V2LED 18W-NW-W  | <b>28951</b> | 18 | bílá / biela                   | 1260 | 110 | 4000 |



- Korpus: hliníková slitina / Korpus: hliníková zliatina
- Difúzor: plast / Difúzor: plast



KANTI V2LED 12W-NW-SN



KANTI V2LED 18W-NW-SN



KANTI V2LED 12W-NW-W



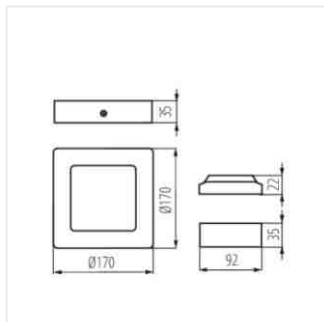
KANTI V2LED 18W-NW-W



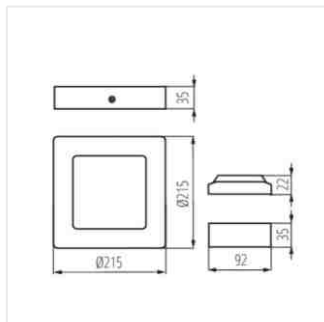
## KANTI V2LED

---

Svítidlo typu "downlight"  
Svietidlo typu "downlight"



KANTI V2LED 12W



KANTI V2LED 18W

