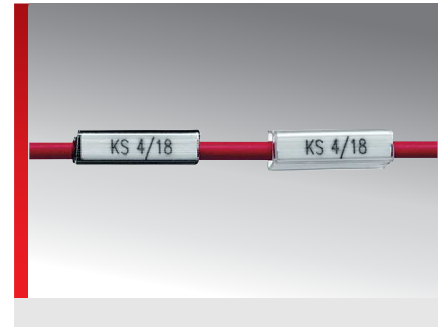
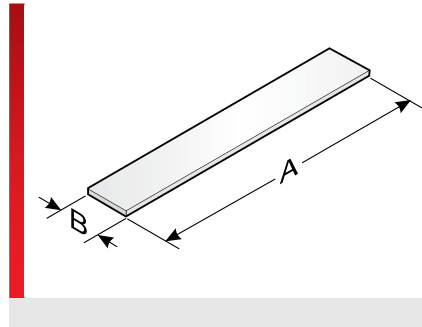
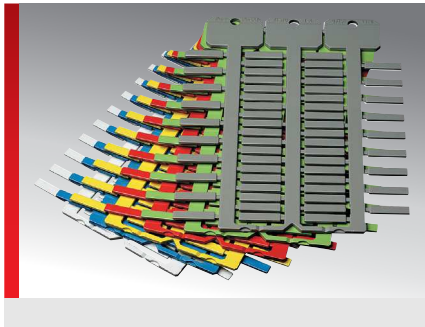


## KS Label plate (single-line)



Single wire, cable, and conduit labelling

### PRODUCT INFORMATION

High-quality, halogen-free, universal label. The KS 4/x label is used with sleeves KT, KTH, KTHQ or holders KM, KMH, KMHQ or KTN on wires, cables, lines or conduits.

- Available in various lengths and colours.
- The large printable area at the top provides room to reference individual projects.

Only the long mat version labels are to be used with the mp-LM laser series.

### SPECIFICATIONS

- Polycarbonate (PC)
- 40 – 130 °C
- V0
- Single-line inscription

**HF**

Type	Order No.	Colour	RAL equiv.	Label size mm (B x A)	Title space mm	No. characters/lines	No. per Frame	Base plate	Software Type	Pack qty.
<b>Label length 10 mm, 4-line mat design</b>										
KS 4/10 4ST	86361084	White	9016	4.00 x 10.00	4.00 x 10.00	5 / 1	64	GP4	A86	1024
<b>Label length 12 mm, 4-line mat design</b>										
KS 4/12 4ST	86361086	White	9016	4.00 x 12.00	4.00 x 12.00	6 / 1	64	GP4	A87	1024
KS 4/12 4ST	86361087	Yellow	1018	4.00 x 12.00	4.00 x 12.00	6 / 1	64	GP4	430	1024
<b>Label length 12 mm</b>										
KS 4/12	86361026	White	9016	4.00 x 12.00	4.00 x 12.00	6 / 1	57	GP3	6	1026
KS 4/12	86361018	Yellow	1018	4.00 x 12.00	4.00 x 12.00	6 / 1	57	GP3	7	1026
KS 4/12	86361020	Red	2012	4.00 x 12.00	4.00 x 12.00	6 / 1	57	GP3	8	1026
KS 4/12	86361022	Green	6018	4.00 x 12.00	4.00 x 12.00	6 / 1	57	GP3	9	1026
KS 4/12	86361024	Blue	5012	4.00 x 12.00	4.00 x 12.00	6 / 1	57	GP3	10	1026
KS 4/12	86361019	Orange	2011	4.00 x 12.00	4.00 x 12.00	6 / 1	57	GP3	60	1026
<b>Label length 12 mm (high packaging density)</b>										
KS 4/12 ST	86361072	White	9016	4.00 x 12.00	4.00 x 12.00	6 / 1	72	GP3	6ST	1296
KS 4/12 ST	86361073	Yellow	1018	4.00 x 12.00	4.00 x 12.00	6 / 1	72	GP3	7ST	1296
KS 4/12 ST	86361074	Red	2012	4.00 x 12.00	4.00 x 12.00	6 / 1	72	GP3	8ST	1296
<b>Label length 12 mm, levelled foot</b>										
KS 4/12-AF	86361027	White	9016	4.00 x 12.00	4.00 x 12.00	6 / 1	57	GP3	6AF	1026

## KS Label plate (single-line)

Type	Order No.	Colour	RAL equiv.	Label size mm (B x A)	Title space mm	No. characters/lines	No. per Frame	Base plate	Software Type	Pack qty.
<b>Label length 15 mm, 4-line mat design</b>										
KS 4/15 4ST	86361088	White	9016	4.00 x 15.00	4.00 x 15.00	8 / 1	64	GP4	A88	1024
<b>Label length 18 mm</b>										
KS 4/18	86361033	Orange	2011	4.00 x 18.00	4.00 x 18.00	10 / 1	57	GP3	10	1026
KS 4/18	86361035	Brown	8003	4.00 x 18.00	4.00 x 18.00	10 / 1	57	GP3	1B	1026
KS 4/18	86361029	Purple	4005	4.00 x 18.00	4.00 x 18.00	10 / 1	57	GP3	1L	1026
KS 4/18	86361031	Pink	4010	4.00 x 18.00	4.00 x 18.00	10 / 1	57	GP3	1R	1026
<b>Label length 18 mm (high packaging density)</b>										
KS 4/18 ST	86361080	White	9016	4.00 x 18.00	4.00 x 18.00	10 / 1	72	GP3	1ST	1296
KS 4/18 ST	86361081	Yellow	1018	4.00 x 18.00	4.00 x 18.00	10 / 1	72	GP3	2ST	1296
KS 4/18 ST	86361082	Red	2012	4.00 x 18.00	4.00 x 18.00	10 / 1	72	GP3	3ST	1296
<b>Label length 18 mm, levelled foot</b>										
KS 4/18-AF	86361037	White	9016	4.00 x 18.00	4.00 x 18.00	10 / 1	57	GP3	5AF	1026
<b>Label length 23 mm</b>										
KS 4/23	86361064	White	9016	4.00 x 23.00	4.00 x 23.00	12 / 1	34	GP3	11A	1020
KS 4/23	86361066	Yellow	1018	4.00 x 23.00	4.00 x 23.00	12 / 1	34	GP3	11B	1020
KS 4/23	86361068	Red	2012	4.00 x 23.00	4.00 x 23.00	12 / 1	34	GP3	11C	1020
<b>Label length 30 mm</b>										
KS 4/30	86361042	White	9016	4.00 x 30.00	4.00 x 30.00	16 / 1	34	GP3	15	1020
KS 4/30	86361246	Yellow	1018	4.00 x 30.00	4.00 x 30.00	16 / 1	34	GP3	17	1020
KS 4/30	86361240	Red	2012	4.00 x 30.00	4.00 x 30.00	16 / 1	34	GP3	16	1020
KS 4/30	86361244	Green	6018	4.00 x 30.00	4.00 x 30.00	16 / 1	34	GP3	19	1020
KS 4/30	86361242	Blue	5012	4.00 x 30.00	4.00 x 30.00	16 / 1	34	GP3	18	1020
KS 4/30 PE	86361043	Green / Yellow		4.00 x 30.00	4.00 x 30.00	16 / 1	34	GP3	15P	1020
<b>Label length 12 mm, long mat design</b>										
KS 4/12 L	86362026	White	9016	4.00 x 12.00	4.00 x 12.00	6 / 1	57	GP3	477	1026
KS 4/12 L	86362018	Yellow	1018	4.00 x 12.00	4.00 x 12.00	6 / 1	57	GP3	478	1026
KS 4/12 L	86362020	Red	2012	4.00 x 12.00	4.00 x 12.00	6 / 1	57	GP3	479	1026
KS 4/12 L	86362022	Green	6018	4.00 x 12.00	4.00 x 12.00	6 / 1	57	GP3	480	1026
KS 4/12 L	86362024	Blue	5012	4.00 x 12.00	4.00 x 12.00	6 / 1	57	GP3	481	1026
<b>Label length 18 mm, long mat design</b>										
KS 4/18 L	86362036	White	9016	4.00 x 18.00	4.00 x 18.00	10 / 1	57	GP3	472	1026
KS 4/18 L	86362028	Yellow	1018	4.00 x 18.00	4.00 x 18.00	10 / 1	57	GP3	473	1026
KS 4/18 L	86362030	Red	2012	4.00 x 18.00	4.00 x 18.00	10 / 1	57	GP3	474	1026
KS 4/18 L	86362032	Green	6018	4.00 x 18.00	4.00 x 18.00	10 / 1	57	GP3	475	1026
KS 4/18 L	86362034	Blue	5012	4.00 x 18.00	4.00 x 18.00	10 / 1	57	GP3	476	1026
	86362038	Grey	7038	4.00 x 18.00	4.00 x 18.00	10 / 1	57	GP3	562	1026

## KS Label plate (single-line)

Type	Order No.	Colour	RAL equiv.	Label size mm (B x A)	Title space mm	No. characters/lines	No. per Frame	Base plate	Software Type	Pack qty.
<b>Label length 23 mm, long mat design</b>										
KS 4/23 L	86362064	White	9016	4.00 x 23.00	4.00 x 23.00	12 / 1	34	GP3	459	1020
KS 4/23 L	86362066	Yellow	1018	4.00 x 23.00	4.00 x 23.00	12 / 1	34	GP3	460	1020
KS 4/23 L	86362068	Red	2012	4.00 x 23.00	4.00 x 23.00	12 / 1	34	GP3	461	1020
<b>Label length 30 mm, long mat design</b>										
KS 4/30 L	86362042	White	9016	4.00 x 30.00	4.00 x 30.00	16 / 1	34	GP3	462	1020
KS 4/30 L	86362046	Yellow	1018	4.00 x 30.00	4.00 x 30.00	16 / 1	34	GP3	463	1020
KS 4/30 L	86362040	Red	2012	4.00 x 30.00	4.00 x 30.00	16 / 1	34	GP3	464	1020
KS 4/30 L	86362044	Green	6018	4.00 x 30.00	4.00 x 30.00	16 / 1	34	GP3	465	1020
KS 4/30 L	86362045	Blue	5012	4.00 x 30.00	4.00 x 30.00	16 / 1	34	GP3	466	1020

### MATERIAL PROPERTIES



Polycarbonate (PC)

### THERMAL PROPERTIES



Temperature / temperature range  
-40 – 130 °C

### FIRE BEHAVIOUR



Fire classification  
V0

### TECHNICAL INFORMATION



Halogen-free  
DIN/VDE 0472, Part 815

### GENERAL TECHNICAL DATA



Single-line inscription

### INSTALLATION METHOD



Sleeve system



Cable tie system with sleeves



Clamping system



Self-locking system

## KS Label plate (single-line)

### LABELLING TECHNOLOGY



Plotter



Laser devices



Inkjet

All details given in our sales brochures and catalogues, as well as the information available online, are based on our current knowledge of the products described.

The electronic data and files made available by Murrplastik, particularly CAD files are based on our current knowledge of the product described.

A legally binding assurance of certain properties or the suitability for a certain purpose can not be determined from this information.

All information with respect to the chemical and physical properties of Murrplastik products, as well as application advice given verbally, in writing or by tests, is given to the best of our knowledge.

This does not free the purchaser of carrying out their own inspections and tests in order to determine the suitability of a product for a specific purpose.

Murrplastik accepts no responsibility for the available information being up-to-date, correct or complete. Neither do we accept responsibility for the quality of this information.

Murrplastik accepts no liability for damage caused as a result of using our products.

Murrplastik reserves the right to make technical changes and improvements through constant further development of products and services.

Our General Terms and Conditions apply.