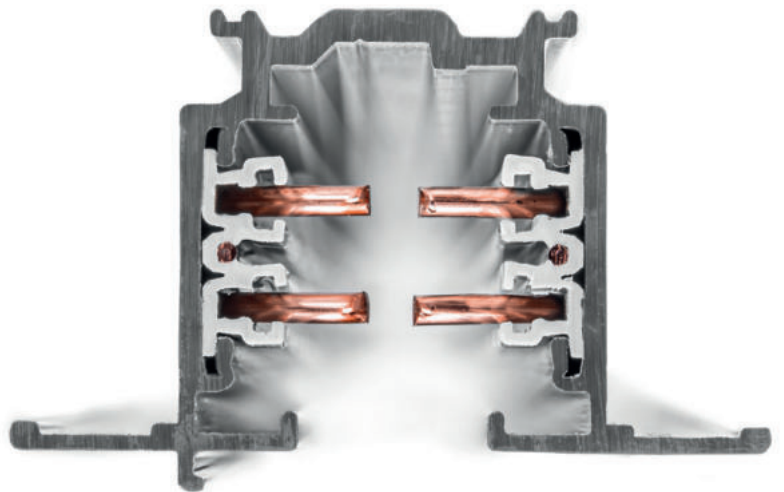
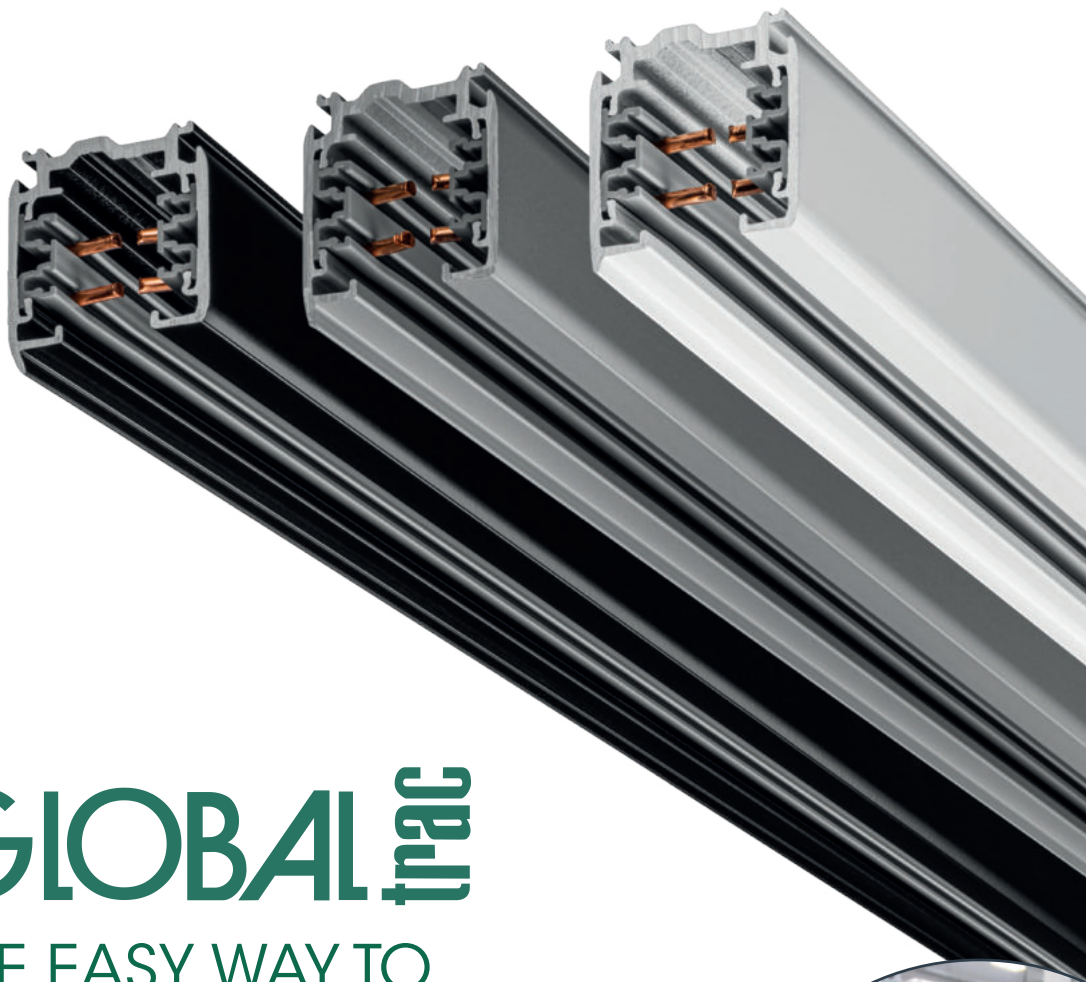


trac BAL OLO GL



The Market Leader
and Pioneer in
Professional Track
Lighting Solutions





GLOBAL trac

THE EASY WAY TO BUILD UP YOUR RETAIL LIGHTING

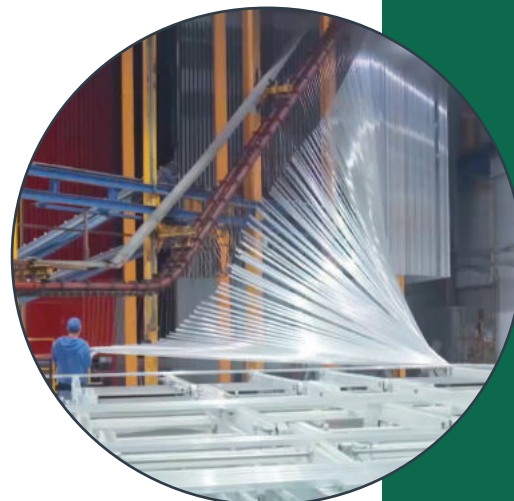
Our highly automated, state-of-the-art factories **in Finland** help us match customer demand at all times and guarantee, that we can manufacture and deliver a comprehensive portfolio of electrotechnical solutions quickly and cost-effectively.

With capacity for lighting tracks exceeding 5 million meters annually, Nordic Aluminium today has a position as a globally leading manufacturer.

GLOBAL trac is a registered trademark of Nordic Aluminium.

NORDIC  ALUMINIUM
● LIVAL GROUP

www.nordicaluminium.fi



● Quality in focus

GLOBAL TRAC PRO

GLOBAL Trac Pro is the most sold three-circuit lighting track system in the world. It is the quality choice of professionals and lighting manufacturers. Long experience and 100% quality assurance ensure problem-free operation.

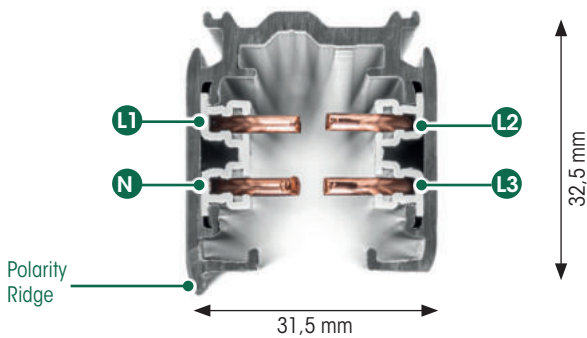


GLOBAL Trac Pro's **high load capacity** and circuit-specific control option can be used in various spaces, including shops, department stores, public buildings, restaurants, airports and offices.

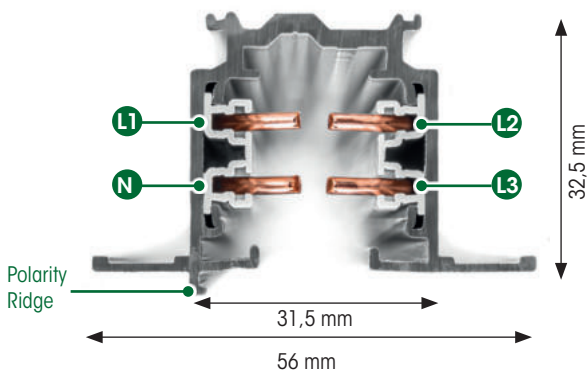
Easy to extend

The modular structure of the system makes it easy to extend and adapt to various needs. Modular dimensions help designers fit the system into the appropriate space and also make on-site mounting easier. **Reliable connectors ensure fast and easy installation** resulting in overall cost savings.

XTS Surface

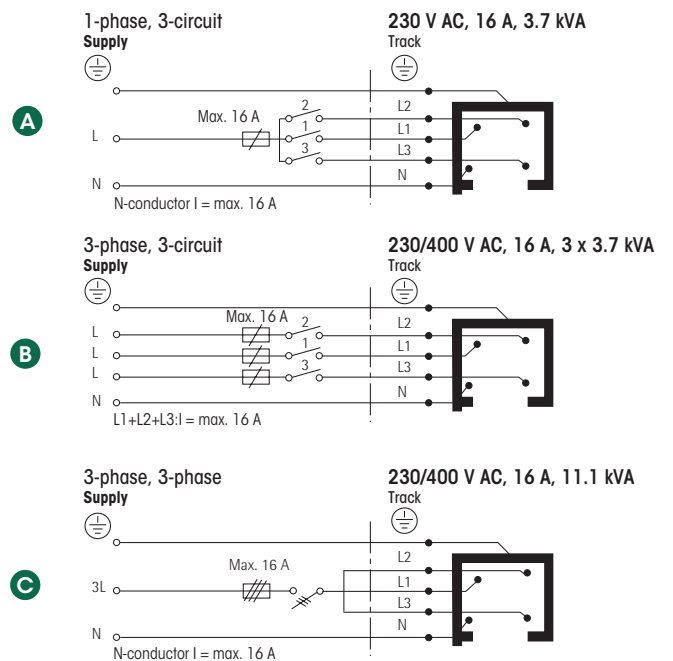


XTSF Recessed



GLOBAL Trac Pro

Power Conductor Cross-Section: 4,0mm²



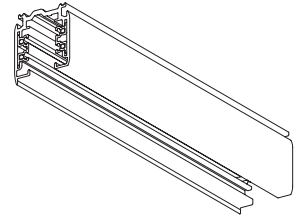
GLOBAL TRAC PRO

Available colours: -1 grey (RAL 7040), -2 black (RAL 9005), -3 white (RAL 9016).

Surface Mounted Tracks:

Purchase Code	Type	EAN code	Length (mm)	Colour	PCS/ Package
KKT301144	XTS 4100-1	6410014500566	1000	Grey	4/240
KKT301152	XTS 4100-2	6410014506018	1000	Black	4/240
KKT301158	XTS 4100-3	6410014507060	1000	White	4/240
KKT301171	XTS 4200-1	6410014500597	2000	Grey	4/240
KKT301179	XTS 4200-2	6410014506025	2000	Black	4/240
KKT301185	XTS 4200-3	6410014507077	2000	White	4/240
KKT301111	XTS 4300-1	6410014500856	3000	Grey	4/240
KKT301119	XTS 4300-2	6410014506032	3000	Black	4/240
KKT301115	XTS 4300-3	6410014507084	3000	White	4/240
KKT301124	XTS 4400-1	6410014500863	4000	Grey	4/240
KKT301131	XTS 4400-2	6410014506049	4000	Black	4/240
KKT301136	XTS 4400-3	6410014507091	4000	White	4/240

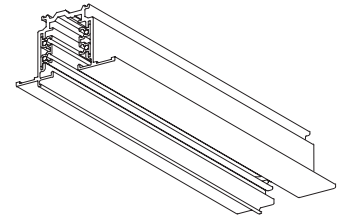
XTS 4100-4400 Surface



Recessed Tracks:

KKT301194	XTSF 4100-1	6410014500870	1000	Grey	6/180
KKT3011100	XTSF 4100-2	6410014506513	1000	Black	6/180
KKT3011105	XTSF 4100-3	6410014507565	1000	White	6/180
KKT3011111	XTSF 4200-1	6410014500887	2000	Grey	6/180
KKT3011118	XTSF 4200-2	6410014506520	2000	Black	6/180
KKT3011123	XTSF 4200-3	6410014507572	2000	White	6/180
KKT3011130	XTSF 4300-1	6410014500894	3000	Grey	6/180
KKT3011137	XTSF 4300-2	6410014506537	3000	Black	6/180
KKT3011142	XTSF 4300-3	6410014507589	3000	White	6/180

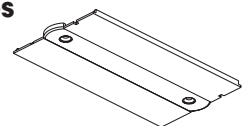
XTSF 4100-4300 Recessed



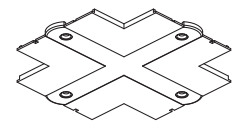
Recessed Track Accessories:

KKT3011101	XTSF 10-1	6410014500412	Cover plate: XTS11-14	Grey	1/100
KKT3012180	XTSF 10-2	6410014506612	Cover plate: XTS11-14	Black	1/100
KKT3012183	XTSF 10-3	6410014507619	Cover plate: XTS11-14	White	1/100
KKT3011124	XTSF 30-1	6410014500429	Cover plate: XTS34-40	Grey	1/100
KKT3012186	XTSF 30-2	6410014506629	Cover plate: XTS34-40	Black	1/100
KKT3012189	XTSF 30-3	6410014507626	Cover plate: XTS34-40	White	1/100

Cover plates XTSF 10



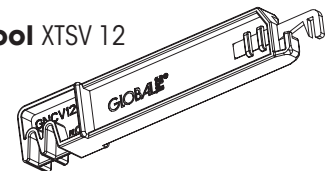
XTSF 30



Bending tool for track power wires:

KKT30155	XTSV12	6410014500993		Blue	1/100
----------	--------	---------------	--	------	-------

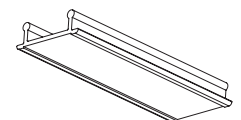
Tool XTSV 12



Cover strip for track opening:

KKT30152	XTSP11-2	6410014530990	Length 3000mm	Black	10/100
KKT30151	XTSP11-3	6410014530983	Length 3000mm	White	10/100

Cover strip XTSP 11



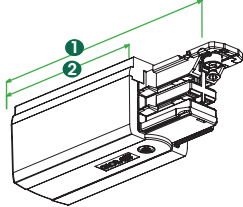
● *Markets Strongest Power Carrying
Track System - High Load Capacity*

GLOBAL TRAC PRO ACCESSORIES

All materials used are halogen free and VO-self-extinguishing. Available colors: -1 grey (RAL 7040), -2 black (RAL 9005), -3 white (RAL 9016).

End feed XTS 11, 12

1. 105 mm, 2. 66 mm

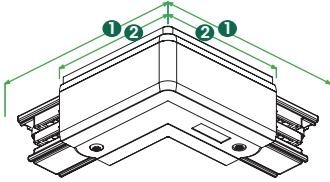


End Feeds:

Purchase Code	Type	EAN code	Polarity Ridge	Colour	PCS/ Package
KKT30122	XTS11-1	6410014507152		Grey	1/100
KKT30123	XTS11-2	6410014506117		Black	1/100
KKT30129	XTS11-3	6410014507114		White	1/100
KKT301218	XTS12-1	6410014507169		Grey	1/100
KKT301219	XTS12-2	6410014506124		Black	1/100
KKT301224	XTS12-3	6410014507121		White	1/100

L-feed XTS 34, 35

1. 99 mm, 2. 66 mm

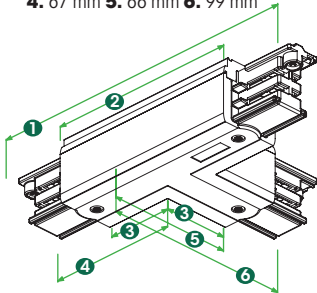


Connectors with Power Supply Option:

KKT301283	XTS34-1	6410014507251		Grey	1/25
KKT301284	XTS34-2	6410014506346		Black	1/25
KKT301289	XTS34-3	6410014507343		White	1/25
KKT301296	XTS35-1	6410014507268		Grey	1/25
KKT301297	XTS35-2	6410014506353		Black	1/25
KKT3012102	XTS35-3	6410014507350		White	1/25

T-feed XTS 36, 37, 39, 40

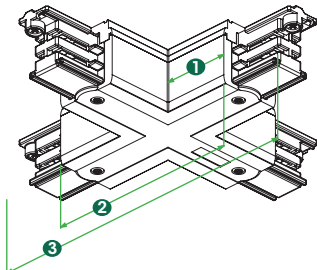
1. 166 mm, 2. 100 mm, 3. 34 mm
4. 67 mm, 5. 66 mm, 6. 99 mm



KKT3012109	XTS36-1	6410014507275		Grey	1/25
KKT3012110	XTS36-2	6410014506360		Black	1/25
KKT3012115	XTS36-3	6410014507367		White	1/25
KKT3012122	XTS37-1	6410014507282		Grey	1/25
KKT3012123	XTS37-2	6410014506377		Black	1/25
KKT3012127	XTS37-3	6410014507374		White	1/25
KKT3012144	XTS39-1	6410014507305		Grey	1/25
KKT3012145	XTS39-2	6410014506391		Black	1/25
KKT3012149	XTS39-3	6410014507398		White	1/25
KKT3012156	XTS40-1	6410014507312		Grey	1/25
KKT3012157	XTS40-2	6410014506407		Black	1/25
KKT3012161	XTS40-3	6410014507404		White	1/25

X-feed XTS 38

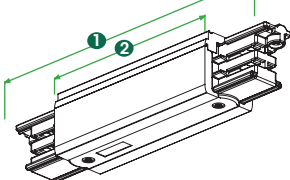
1. 34 mm, 2. 100 mm, 3. 166 mm



KKT3012131	XTS38-1	6410014507299		Grey	1/25
KKT3012132	XTS38-2	6410014506384		Black	1/25
KKT3012136	XTS38-3	6410014507381		White	1/25

Middle feed XTS 14

1. 166 mm, 2. 100 mm

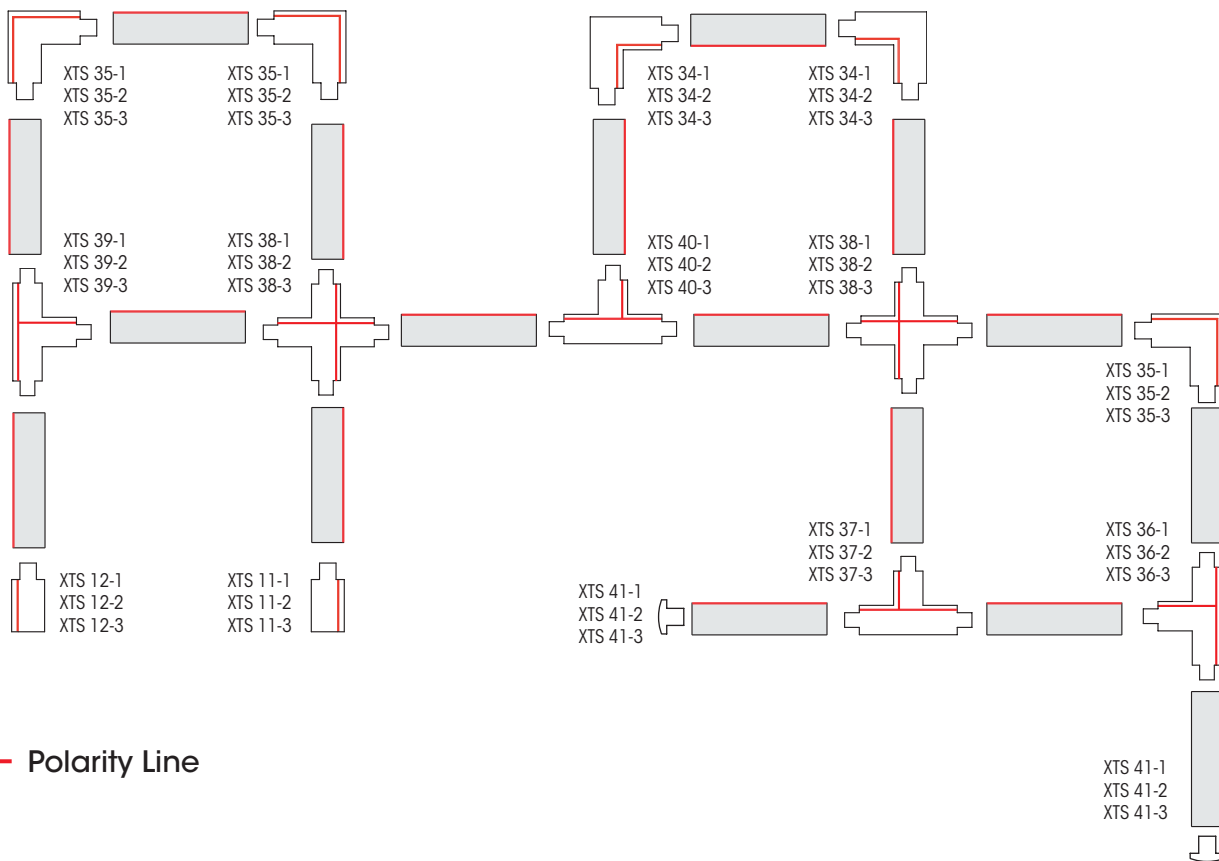


KKT301232	XTS14-1	6410014507176	Grey	1/50
KKT301233	XTS14-2	6410014506148	Black	1/50
KKT301238	XTS14-3	6410014507145	White	1/50

● *Reliable Connectors with Minimal Voltage Drop*

POLARITY IN TRAC PRO

Use of L-, T- and X- Feed. Red line indicates polarity ridge



Connectors without option for power supply:

Purchase Code	Type	EAN code	Colour	PCS/ Package
KKT301245	XTS21-1	6410014507183	Grey	1/100
KKT301246	XTS21-2	6410014506216	Black	1/100
KKT301253	XTS21-3	6410014507213	White	1/100

KKT301260	XTS23-1	6410014507206	Grey	1/25
KKT301261	XTS23-2	6410014506230	Black	1/25
KKT301265	XTS23-3	6410014507237	White	1/25

KKT301271	XTS24-1	6410014507190	Grey	1/25
KKT301272	XTS24-2	6410014506247	Black	1/25
KKT301276	XTS24-3	6410014507244	White	1/25

End Cap:

KKT3012165	XTS41-1	6410014507329	Grey	1/100
KKT3012166	XTS41-2	6410014506414	Black	1/100
KKT3012172	XTS41-3	6410014507411	White	1/100

