

## Description



- Astronomical time switch with weekly program
- 1 channel
- 56 memory locations
- Programming by app possible
- Safe transfer via optional Bluetooth Low Energy OBELISK top3
- Maximum manipulation security, time switch programs can only be transferred from the app to the time switch when the Bluetooth OBELISK top3 is plugged into the time switch
- 100 % compatible with top2
- Astronomical time switch function (automatic calculation of sunrise and sunset times for the whole year)
  - Offset for adjusting of sunrise and sunset times
  - Position data via coordinates or country/city lists can be programmed
  - Fixed ON-OFF switching times can be programmed (e.g. night time interruption)
  - Simulation of switching times (calculated astronomical times and programmed ON/OFF switching times)
  - Reversible astronomical mode (evenings ON - mornings OFF or evenings OFF - mornings ON) or can be deactivated
- DuoFix spring terminals
  - For 2 conductors each
  - Wire or strand (with or without wire end sleeve)
  - Wire diameter: 0.5 - 2.5 mm<sup>2</sup>
  - Button for releasing plug-in connection
- Text-oriented user guidance in display
  - Preset date and time
  - fully operable without mains connection
- Interface for OBELISK top2 memory card (PC programming)
  - 2. insertable switching program
  - Copying programs
  - Storing programs
- 10 year power reserve (lithium battery)
- Zero-cross switching for relay-saving switching and high lamp loads (not with 24 V devices)
- Calculated astronomical switching times
- Programmable ON-OFF switching times
- Switching preselection
- Permanent switching ON/OFF
- Integrated operating hour counter
  - Reset option
  - Service function for monitoring maintenance intervals
- Holiday program
- Display back light (can be turned off)
- PIN coding
- Automatic summer/winter time changeover
  - can be deactivated
  - Date rule options are already stored for Europe, the USA and other countries
  - own date rule options or changeover around set dates are available

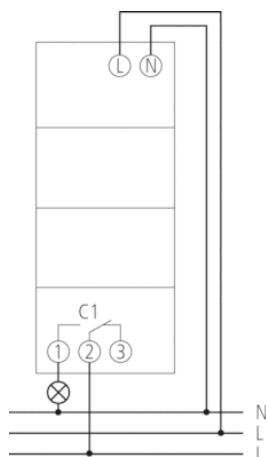
## Technical data

Operating voltage	230 V AC
Frequency	50 – 60 Hz
Width	2 modules
Installation type	DIN rail
Type of contact	Changeover contact
Switching output	Phase-independent

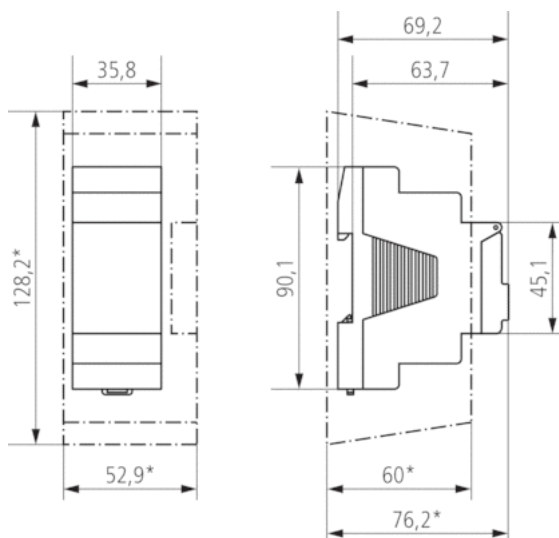
Article number: 1700130

Opening width	< 3 mm ( $\mu$ )
Program	Weekly program, Astronomical program
Program functions	ON-OFF
Number of channels	1
Number of memory locations	56
Power reserve	10 years
Switching capacity at 250 V AC, $\cos \varphi = 1$	16 A
Switching capacity at 250 V AC, $\cos \varphi = 0,6$	10 A
Incandescent/halogen lamp load 230 V	2600 W
Energy saving lamps 230 V	1100 W
LED lamp < 2 W	50 W
LED lamp 2-8 W	600 W
LED lamp > 8 W	600 W
Fluorescent lamp load (conventional) not corrected	2600 VA
Fluorescent lamp load (conventional) series-corrected	2600 VA
Fluorescent lamp load (conventional) parallel-corrected	1300 VA
Switching capacity min.	ca. 10 mA
Shortest switching times	1 min
Time accuracy at 25 °C	typical $\pm 0,25$ s/day (quartz)
Time basis	Quartz
Stand-by consumption	$\sim 0,4$ W
Memory card supplied	–
Type of connection	DuoFix spring terminals
Keyboards	4 touch buttons
Housing and insulation material	High-temperature resistant, self-extinguishing thermoplastic
Type of protection	IP 20
Protection class	II according to EN 60 730-1
Ambient temperature	-30 °C ... +55 °C

### Connection example



## Scale drawings



## Accessories

### Bluetooth OBELISK top3

- Article number: 9070130  
Details ▶ [www.theben.de](http://www.theben.de)



### Wall mounting kit 35 mm

- Article number: 9070064  
Details ▶ [www.theben.de](http://www.theben.de)



### PC set OBELISK top2/3

- Article number: 9070409  
Details ▶ [www.theben.de](http://www.theben.de)



### Memory card OBELISK top2

- Article number: 9070404  
Details ▶ [www.theben.de](http://www.theben.de)



### Front panel kit

- Article number: 9070001  
Details ▶ [www.theben.de](http://www.theben.de)

