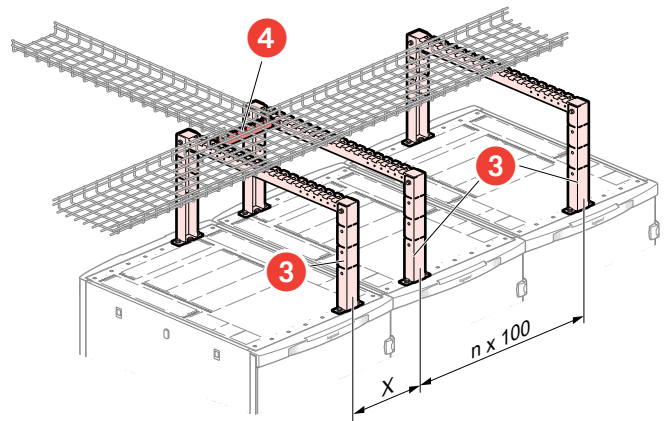
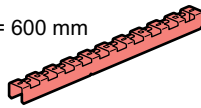


X = 600 mm



X = 400 mm

