

RAIL 21S

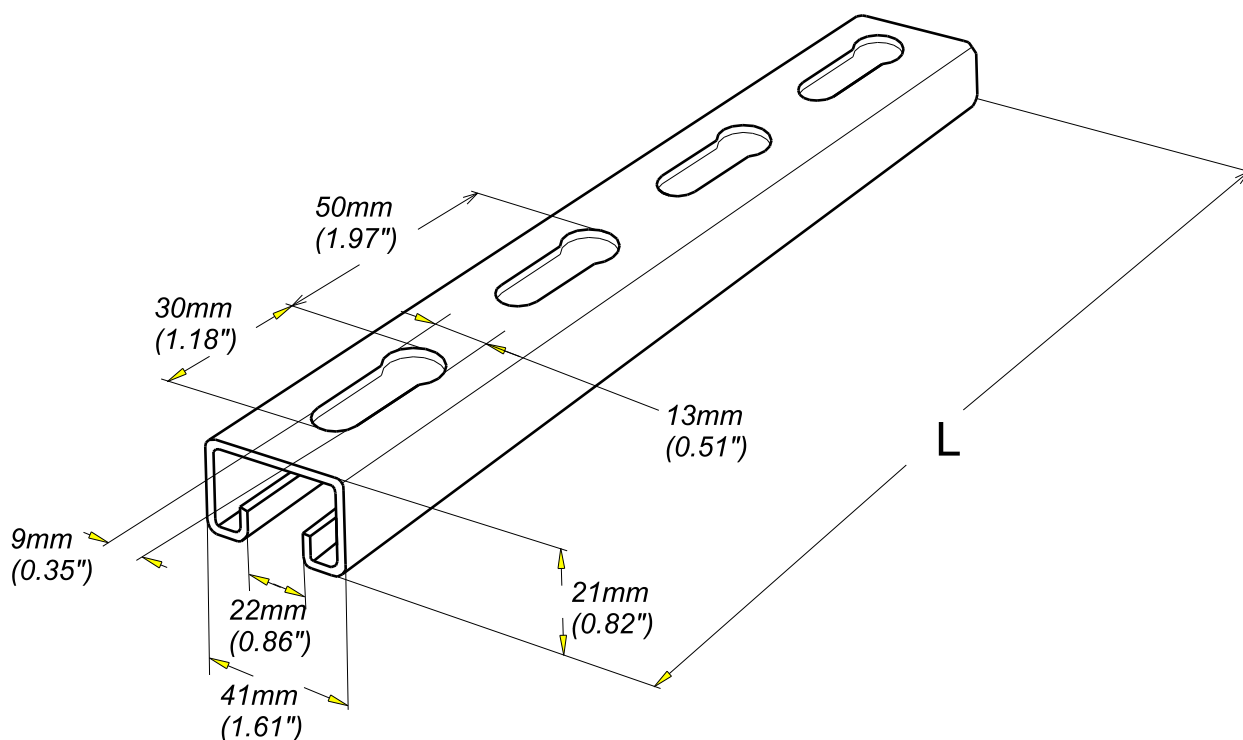
21S CHANNEL

316L
316L

legrand | CABLE
MANAGEMENT

FT0150-4

03 / 16



REF	CODE	POIDS (Kg/m)	WEIGHT (lb/ft)	EP. / TH. (mm)	TH. / EP. (in)	L (mm)
R21S 2000	597 354	0.980	0.651	2	(0.08")	2000
R21S 3000	597 324	1.430	0.962	2	(0.08")	3000

NORMES / STANDARD

MATIERE / MATERIAL
X2 Cr Ni Mo 17-12-2

EN 10088-2

PROTECTION / COATING
316L

Propriété exclusive de LEGRAND, ne peut être ni copié, ni transmis à des tiers sans autorisation écrite.

Exclusive property of LEGRAND, shouldn't be reproduced or transmitted to any people without written authorization.