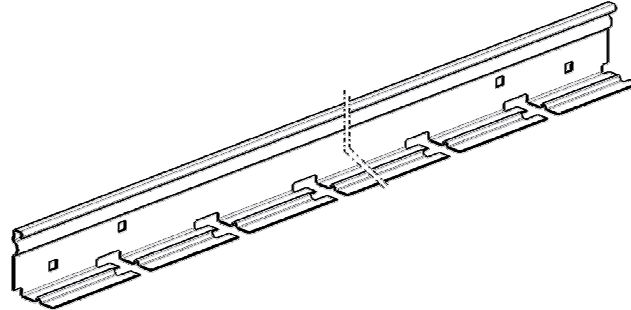


CTR

Reference(s) : 923 060


1 RANGE

Ref	Code	Matière <i>Raw material</i>	Norme <i>Standard</i>	Finition <i>Coating</i>	Epaisseur <i>Thickness</i> (mm/Inch)	Masse <i>Weight</i> (KG)
CTR	923060	DX51D Z275 MAC	EN 10346	/	1.2 / 0.05"	2,75

Dimensions in (mm/inch) :

