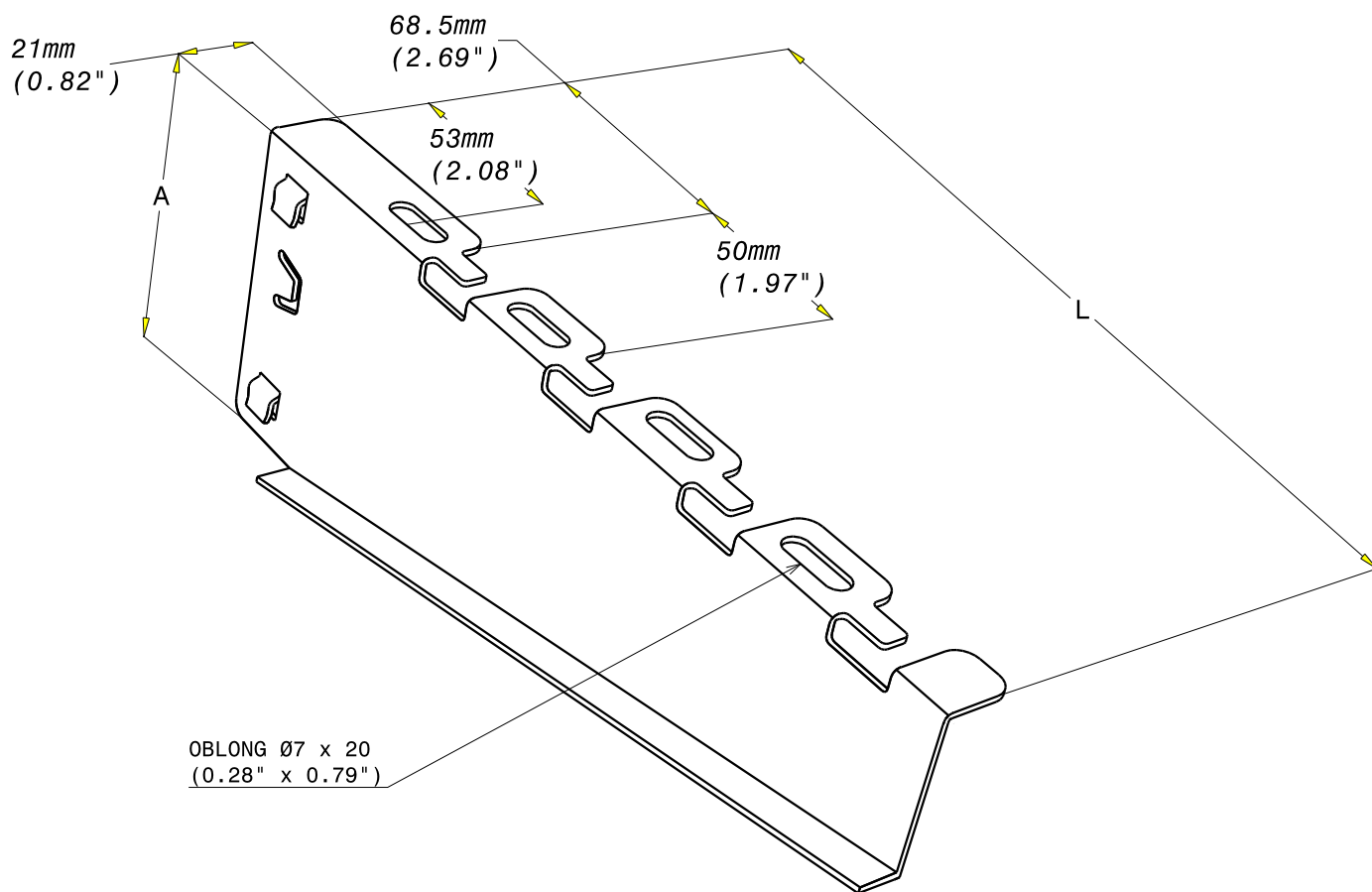


FT0436-4

08/13



REF	CODE	POIDS (Kg)	WEIGHT (lb)	L (mm)	l (inch)	A (mm)	A (inch)	Ep.	Th.
CG 100	557 924	0.090	0.198	153.5	6.04	73	2.87	1	0.04
CG 150	557 934	0.109	0.240	203.5	8.01	73	2.87	1	0.04
CG 200	557 944	0.216	0.476	253.5	9.98	86.5	3.40	1.2	0.048
CG 300	557 954	0.330	0.727	353.5	13.92	86.5	3.40	1.5	0.06
CG 400	557 964	0.640	1.409	453.5	17.84	101.5	3.99	2	0.08
CG 500	557 974	0.720	1.586	553.5	21.78	101.5	3.99	2	0.08

NORMES / STANDARD

MATIERE / MATERIAL X2 Cr Ni Mo 17-12-2	EN 10088-2
PROTECTION / COATING INOX 316L	