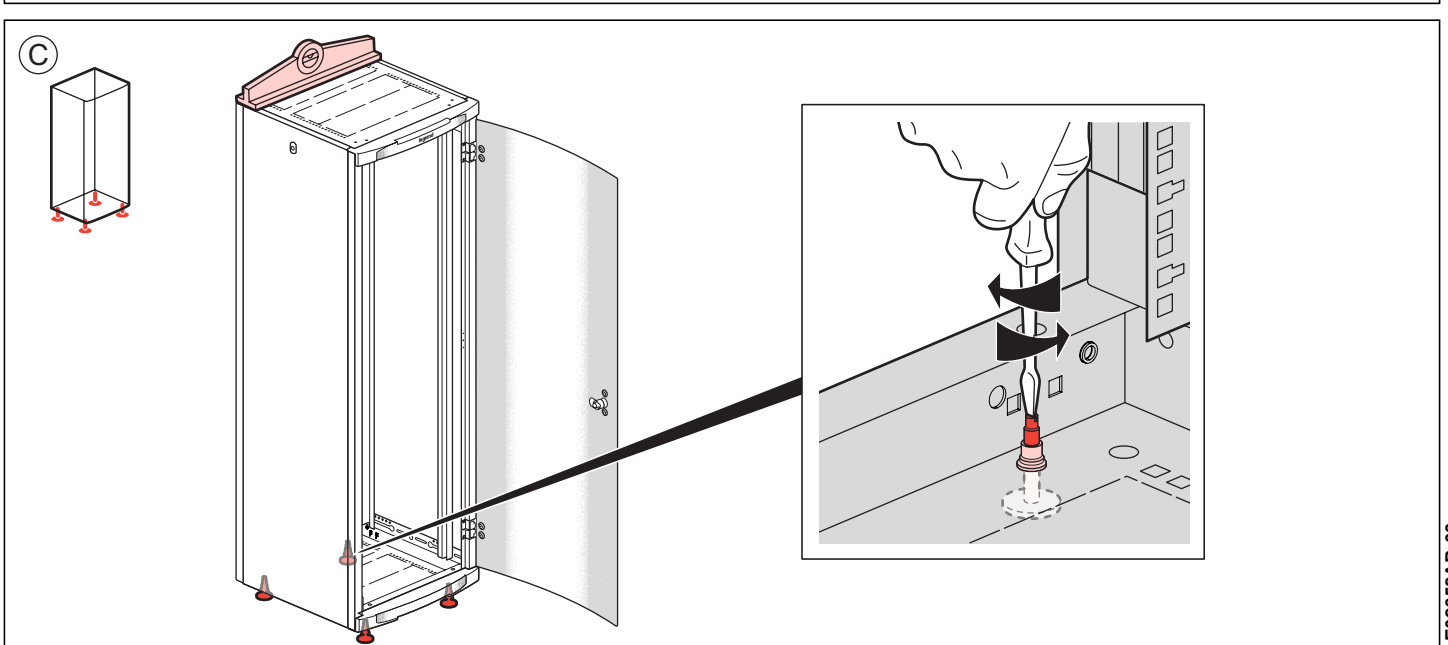
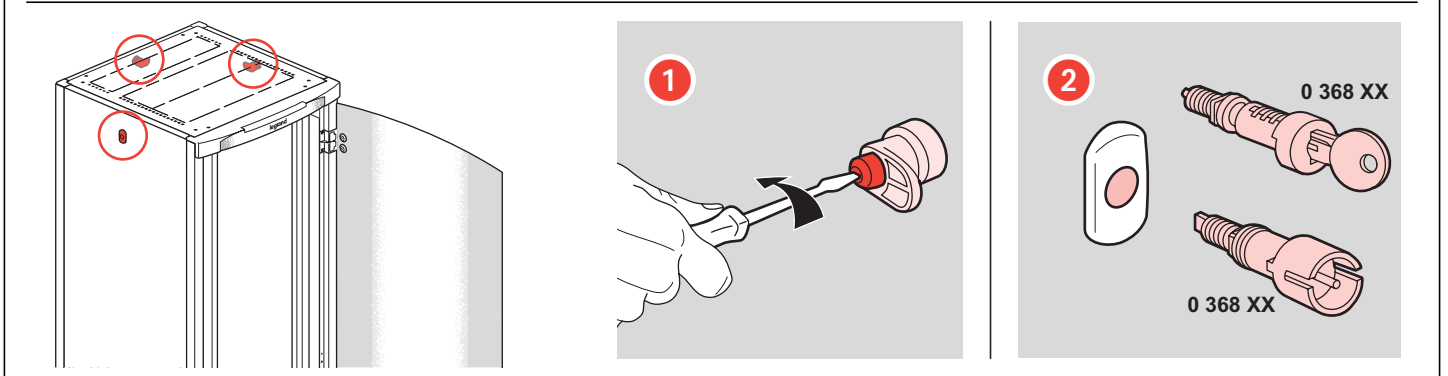
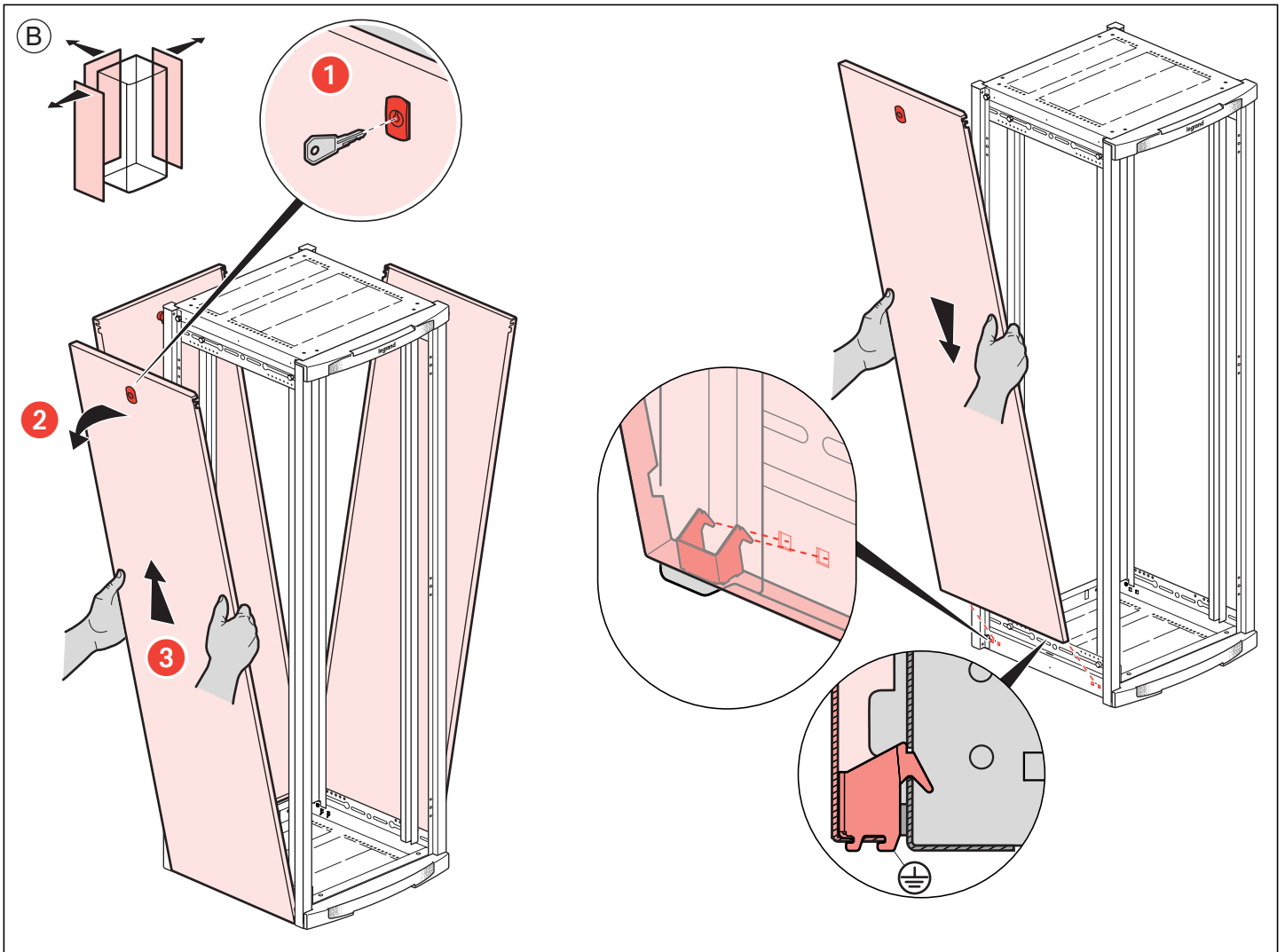
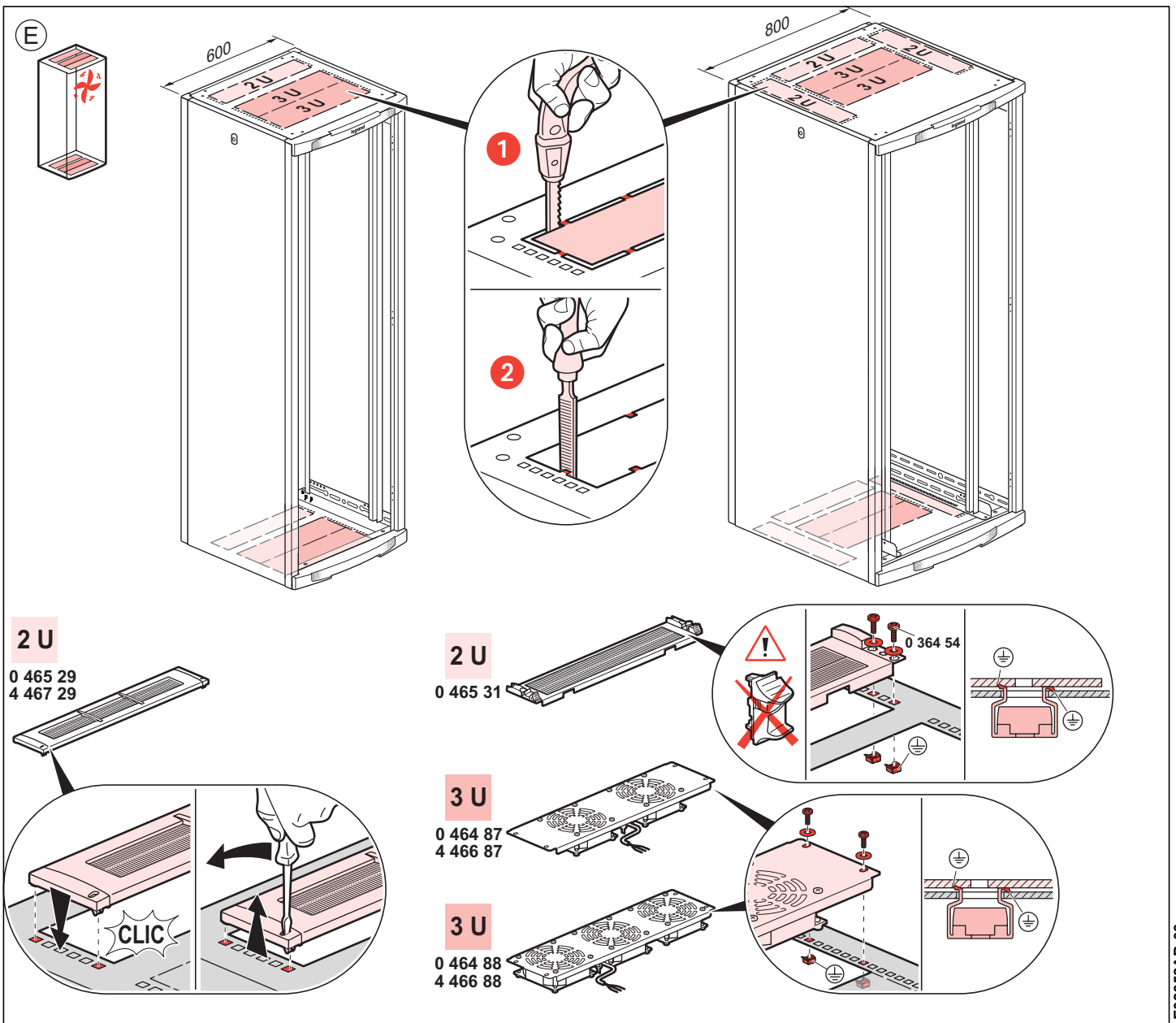
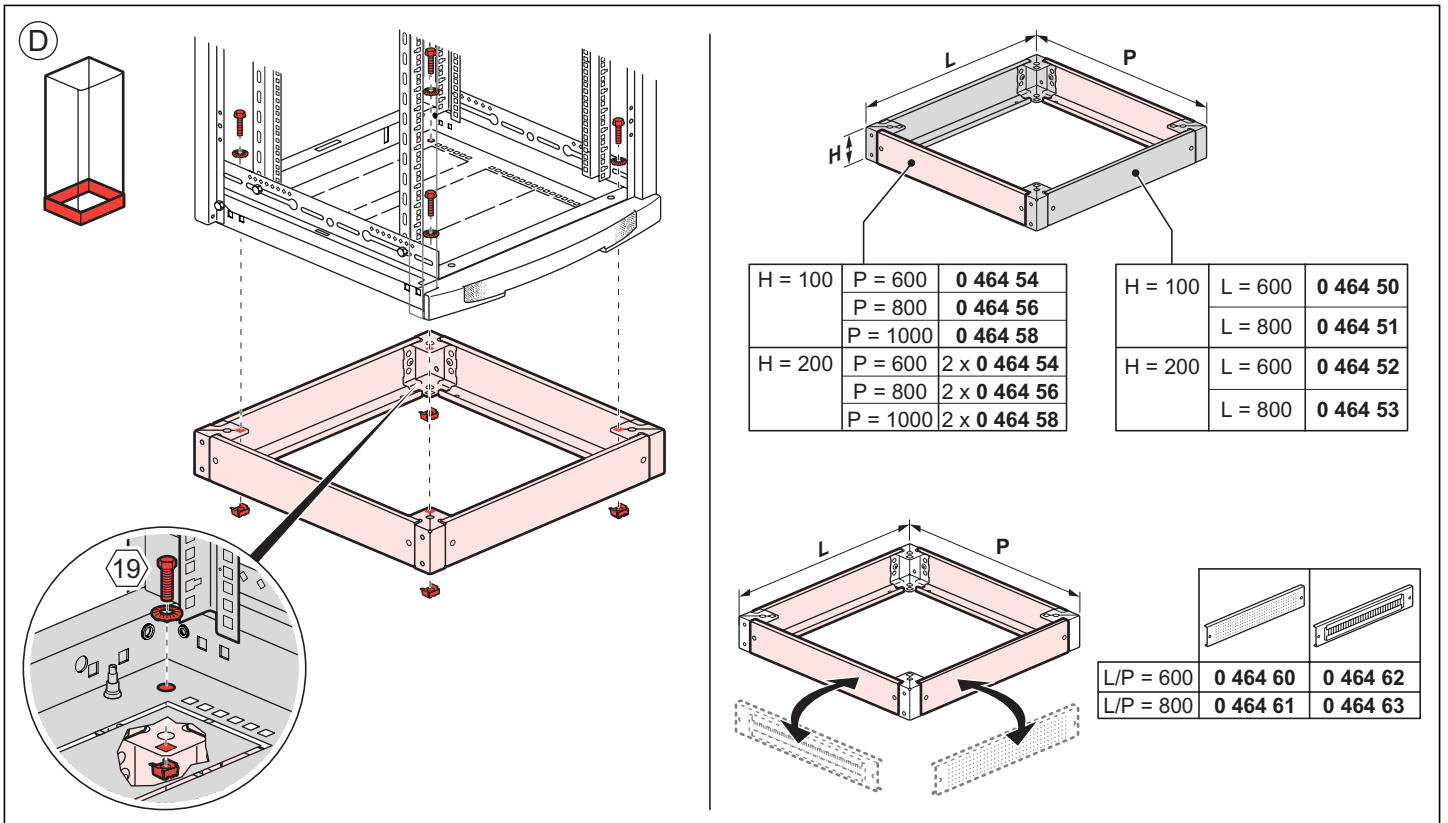
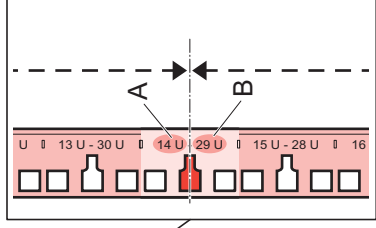
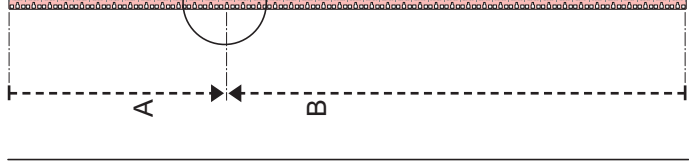
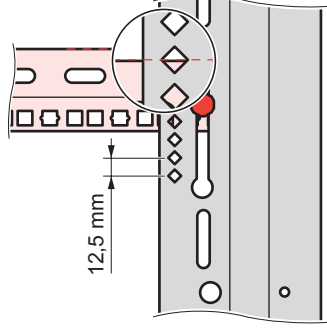
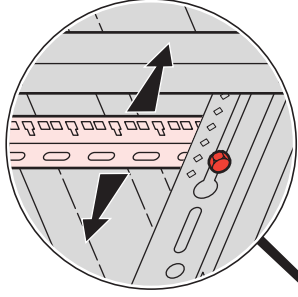
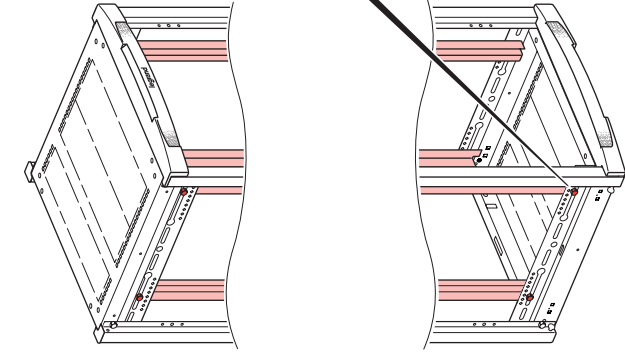
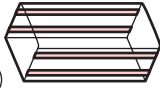


LE02652AB-03

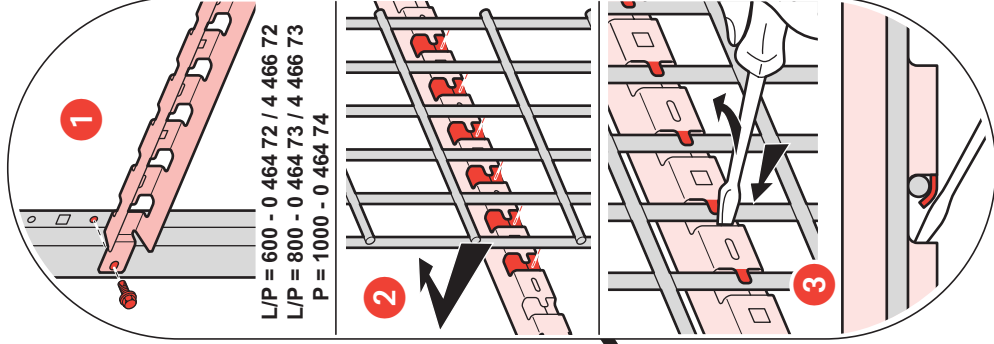
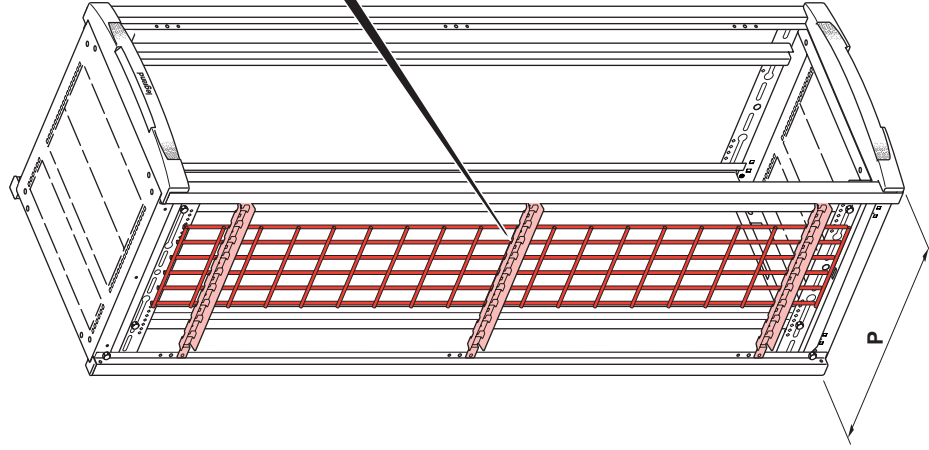
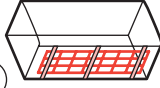




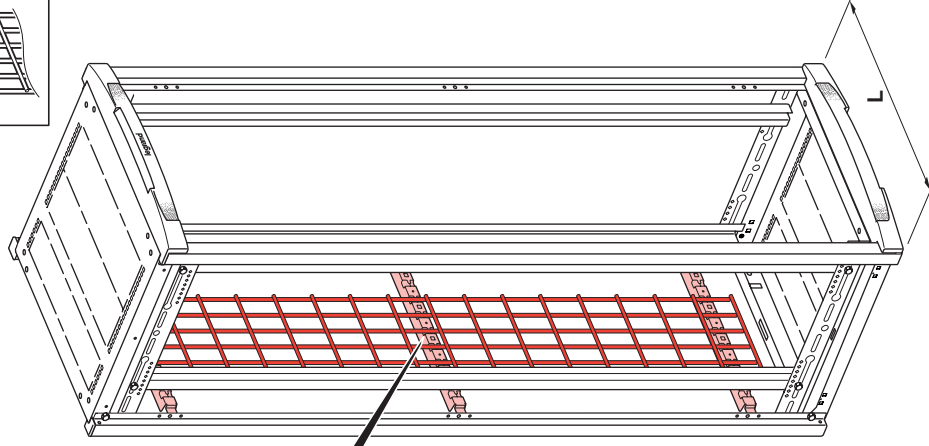
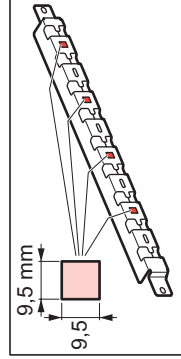
F



G



L/P = 600 - 0 464 72 / 4 466 72  
 L/P = 800 - 0 464 73 / 4 466 73  
 P = 1000 - 0 464 74



0 464 72/73/74  
 4 466 72/73



x 6

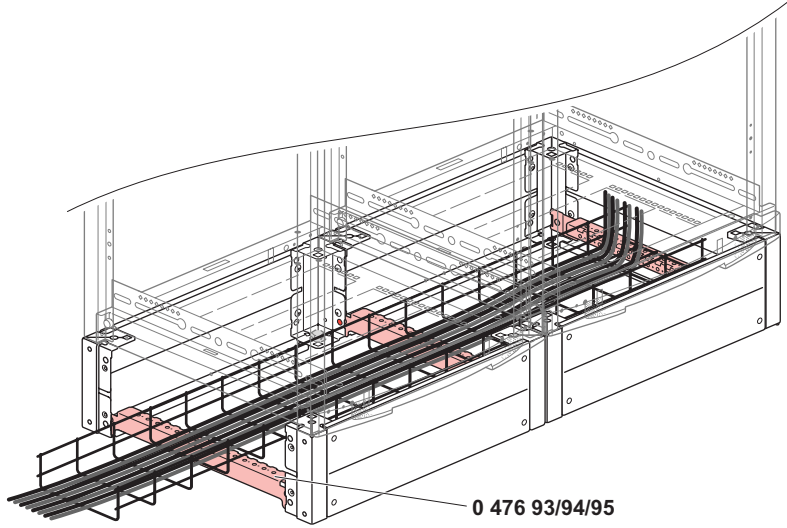
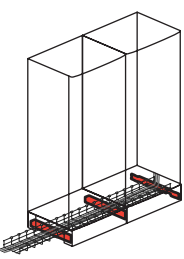
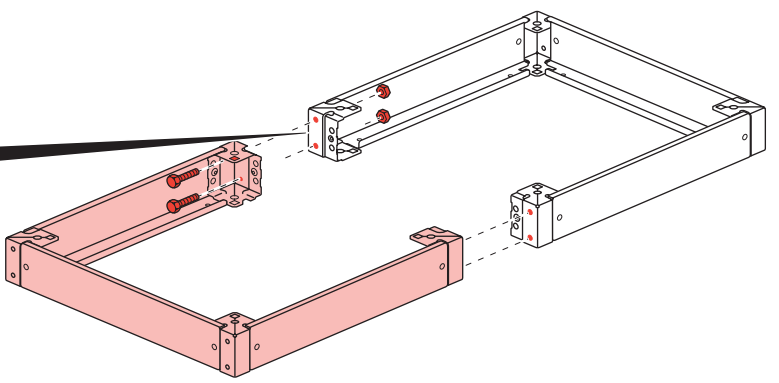
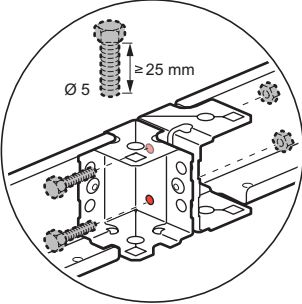
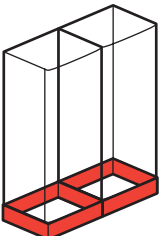
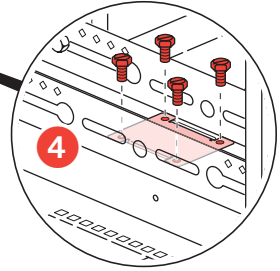
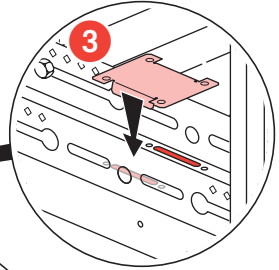
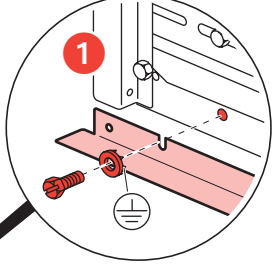
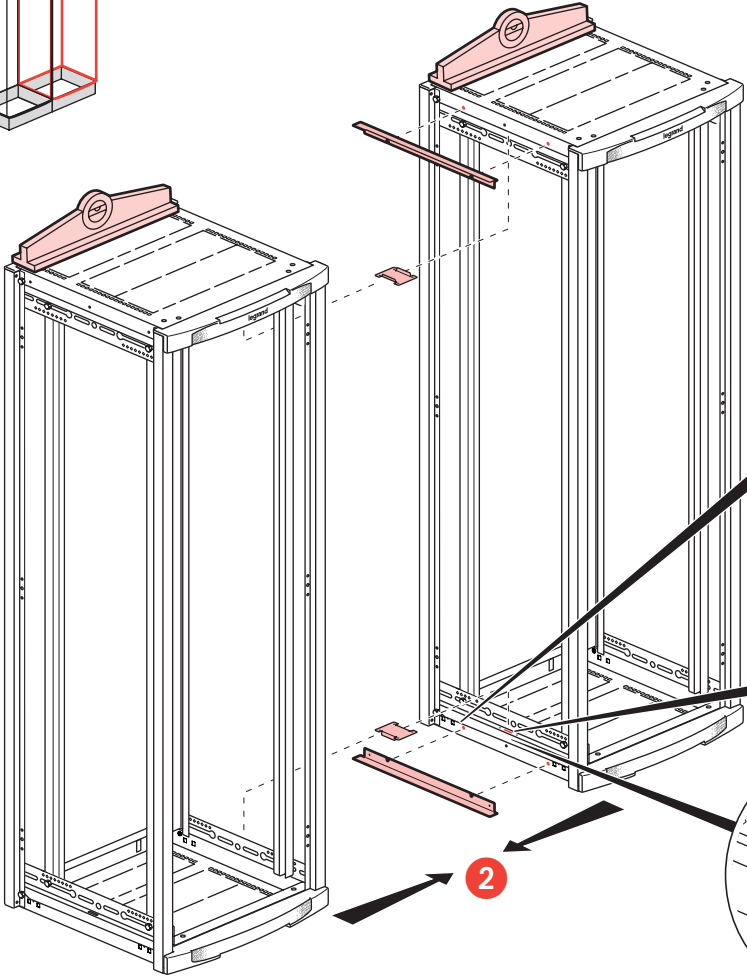
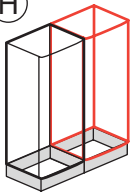
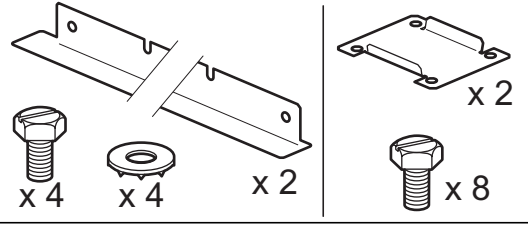
x 3

0 464 76/77  
 4 466 77



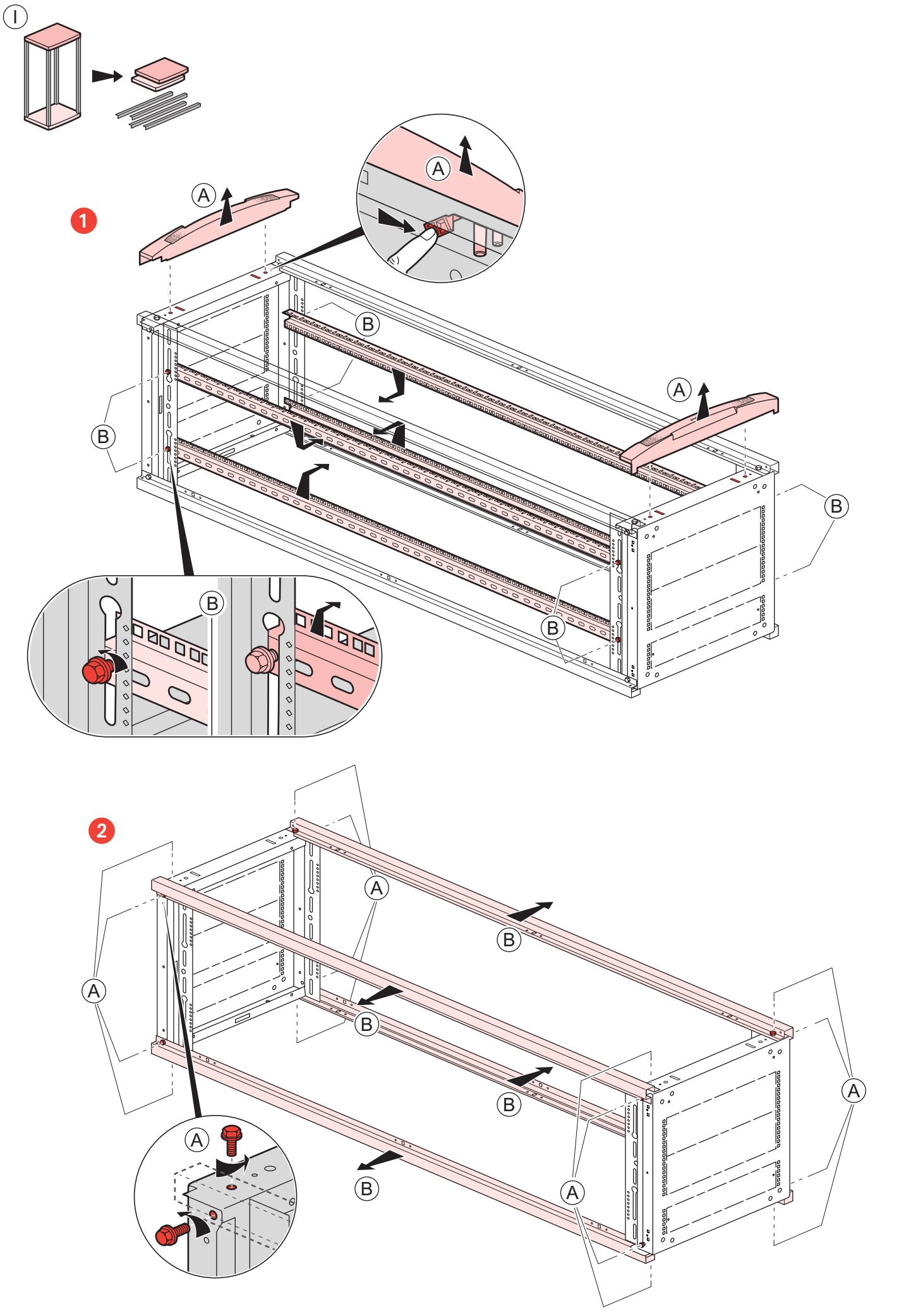
H

0 463 37/38/39  
4 465 37/38

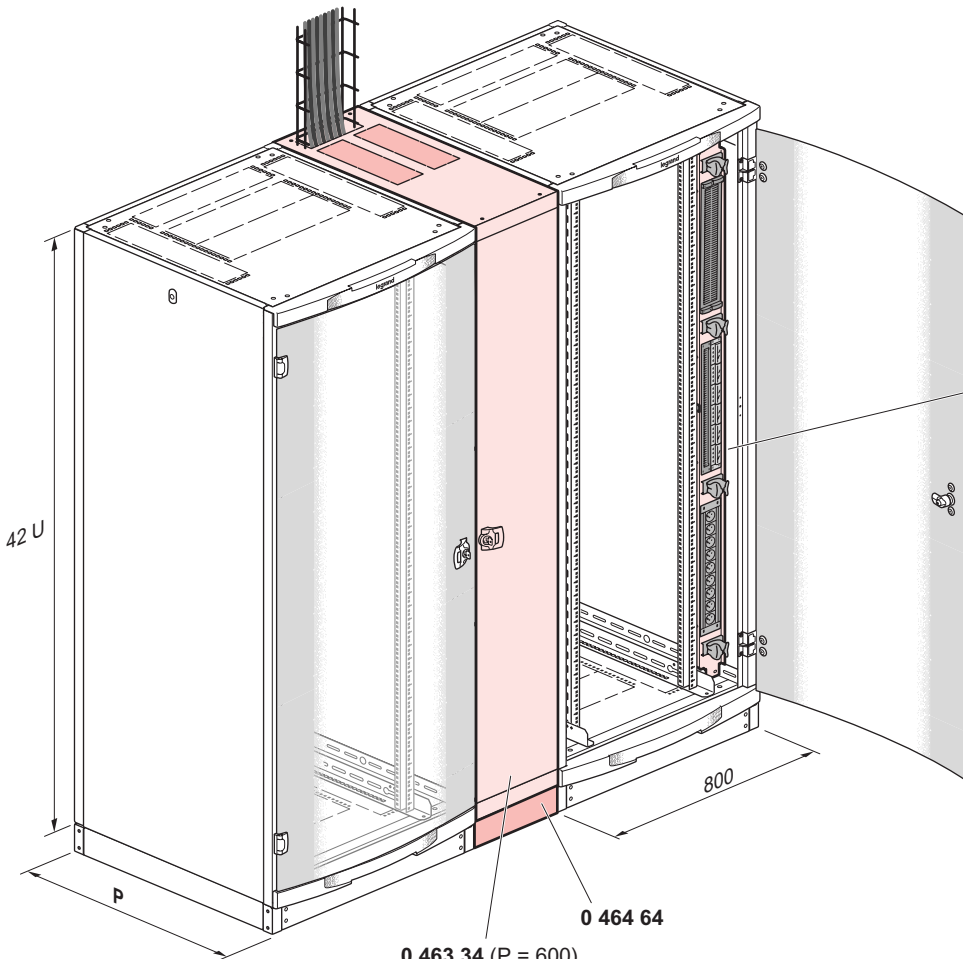
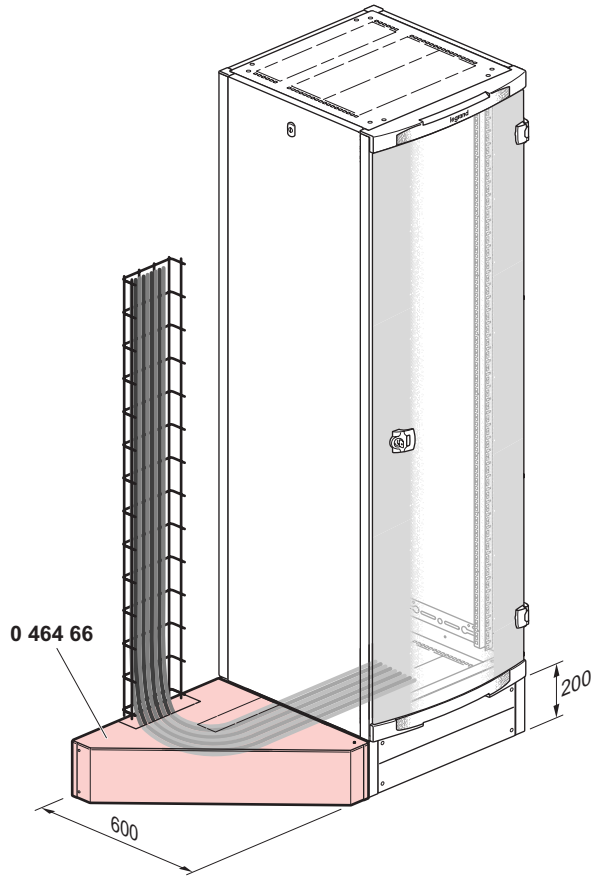
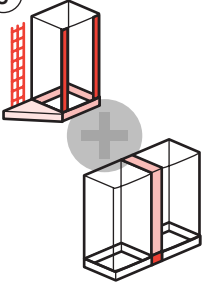


0 476 93/94/95

LE02652AB-03



J



0 463 34 (P = 600)  
0 463 35 (P = 800)

0 464 64

