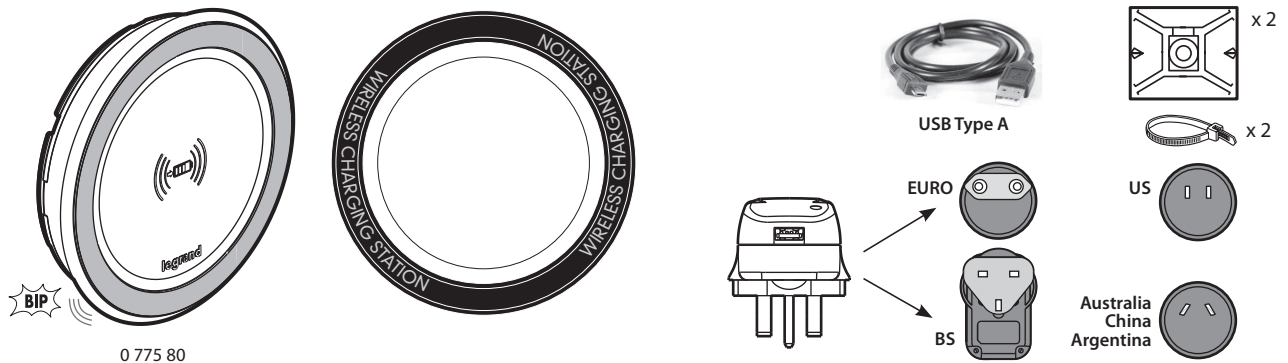


1A wireless charger for furniture

Cat. No(s): 0 775 80



0 775 80

1. USE



Can be used to fully charge or top up a smartphone equipped with an induction receiver.

Designed for mounting horizontally on furniture.

Suitable for use in passageways or transit areas, offices, on kitchen worktops.

Does not interfere with other wireless transmissions (Zigbee, TNT, GSM, 4G, etc).

Product supplied complete with accessory for fixing on furniture, micro-USB/USB type A cord (2.5 m) + 2 adhesive bases + 2 cable ties, mobile charger.

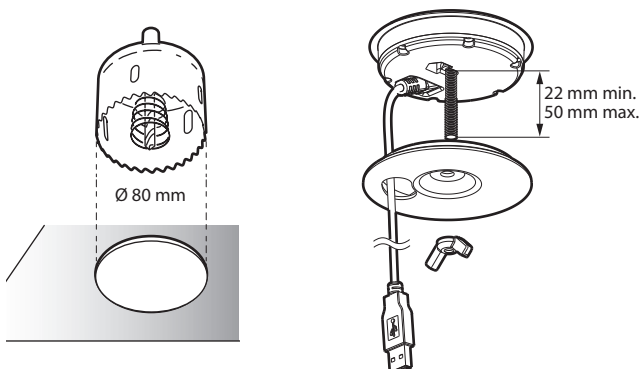
Supplied with identification sticker for use in public spaces.

Supplied with 4 plugs: 2P Euro / BS / US / Australia-China-Argentina.

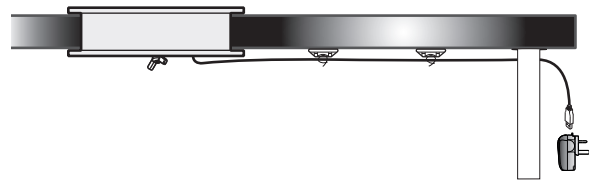
2. RANGE

Description	Cat. No.
Wireless charger equipped with an 8 cm ² induction type antenna for quick pairing with the smartphone. Surface with non-slip coating to hold the terminal safely in place during charging.	0 775 80

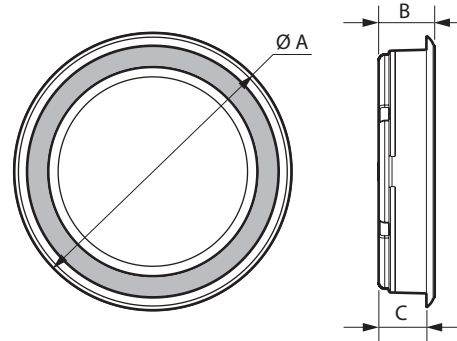
3. MOUNTING



3. MOUNTING (continued)



4. DIMENSIONS (mm)



Ø A	B	C
87	18	15.3

5. TECHNICAL CHARACTERISTICS

5.1 Mechanical characteristics

Impact resistance: IK 08

Resistance to ingress of solid bodies and liquids:

- IP44 for upper part installed on furniture

5.2 Material characteristics

ABS

Halogen free

UV resistant

Self-extinguishing:

- 750° C / 30 s for parts made of insulating materials holding live parts in place
- 650° C / 30 s for other insulating components

5. TECHNICAL CHARACTERISTICS *(continued)***■ 5.3 Electrical characteristics**

Nominal input voltage	110 - 230 V~
Nominal output voltage	5V~
Frequency	50 - 60 Hz
Maximum input current	150 mA (ac)
Maximum output current	1000 mA (dc)
Standby consumption	< 0.07 W
Energy efficiency	> 85 %
Protection class	II - Low voltage

■ 5.4 Average charging time for a smartphone equipped with an induction receiver


- 80 % charge < 2 hrs
- 100 0% charge < 2 hrs 45

■ 5.5 Climate characteristics

Storage temperature: - 20°C to + 70°C

Operating temperature: 0°C to + 45°C

6. STANDARDS AND APPROVALS

	WPC Qi
---	--------

EN 62479

ICNIRP