

assembly aid enclosed

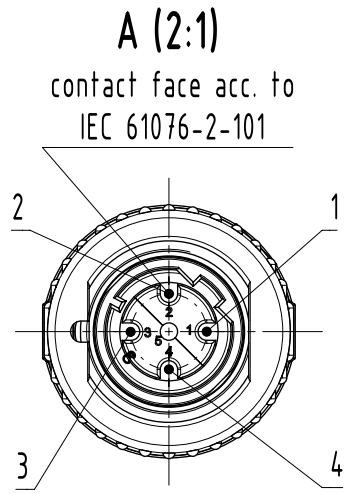
SW15
width across
flats: 15

Ø16,4

SW14
width across
flats: 14

SW15
width across
flats: 15

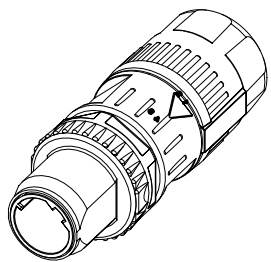
pin	colour
1	yellow
2	white
3	orange
4	blue



complete length when assembled app. 46

order contacts separately

cable Ø	wire gauge	part-no.
5,7-8,8mm	AWG 26-22	09 67 000 5576
	AWG 24-20	09 67 000 8576
	AWG 22-18	09 67 000 3576



	All rights reserved Department EL PD	All Dimensions in mm Original Size DIN A4	Scale 1:1	Free size tol.	Ref. Sub.
		Created by 404270	Inspected by farcasiu	Standardisation	Date 23-Jan-2025
HARTING D-32339 Espelkamp		Title M12 Crimp SD D-cod 4-pol male			Doc-Key / ECM-Nr. DS00192909
		Type TB	Design Number DS00192909	SAP Mat. Number ---	Rev. N
					Page 1/1