

Technical Data Sheet

Date: 03/11/2022

4x16A CEE N. Angled Panel Mount Socket

Ref. No: 3023-309-1600



Pack Unit

10



Weight

194 gr.



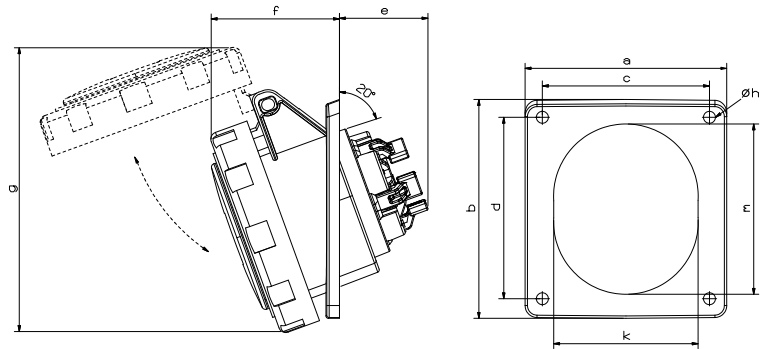
Technical Informations

Quick Connection

Ampere	16A
Voltage	380 - 415 V. AC
Hertz	50 - 60 Hz
Protection Class	IP 67
Clock Position	6h
Number Of Poles	4 (3P + E)
Contact Material	Brass (CuZn)
Housing Material	PA6
Connection Type	Quick
Operation Temp.	-25 / +80 (1 hour -100° C)
	(-25 / + 40 IEC 60309)

Dimensions

a	83	e	37
b	90	f	52
c	70	g	109
d	76	k	5
Cable Diameter (Min.)	1 mm ²	Øh	56
Cable Diameter (Max.)	2,5 mm ²	M	68
Cable Diameter (Rigid)	1 mm ²		
Cable Diameter (Rigid)	4 mm ²		



Different Earth Contact Positions (Clock Positions)

3027-309-1100-2h	3027-309-1600-3h	3027-309-0700-4h	3027-309-0300-5h	3027-309-1600	3027-309-0300-7h	3027-309-0900-9h	3027-309-1100-10h	3027-309-1600-11h



Tel: +90 232 880 90 01
Fax: +90 232 880 90 02



info@tpelectric.com.tr



Kemalpaşa O.S.B. 600 Sk. No:364
35730 Kemalpaşa - İZMİR / TÜRKİYE