

Technical Data Sheet

Date: 03/11/2022

3x32A CEE N. Surface Mount Socket Outlet

Ref. No: 3024-307-0900



Pack Unit

5



Weight

258 gr.



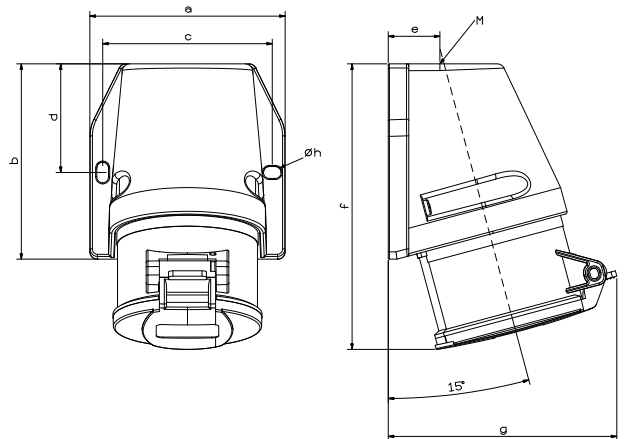
Technical Informations

Quick Connection

| | |
|--|----------------------------|
| Ampere | 32A |
| Voltage | 200 - 250 V. AC |
| Hertz | 50 - 60 Hz |
| Protection Class | IP 44 |
| Clock Position | 6h |
| Number Of Poles | 3 (2P + E) |
| Contact Material | Brass (CuZn) |
| Housing Material | PA6 |
| Connection Type | Quick |
| Operation Temp. (-25 / + 40 IEC 60309) | -25 / +80 (1 hour -100° C) |

Dimensions

| | | | |
|-------------------------------|---------------------|-----------|---------|
| a | 88 | e | 22 |
| b | 88 | f | 139 |
| c | 76 | g | 106 |
| d | 48,5 | Øh | 5,3 |
| Cable Diameter (Min.) | 2,5 mm ² | M | M25x1,5 |
| Cable Diameter (Max.) | 6 mm ² | | |
| Cable Diameter (Rigid) | 2,5 mm ² | | |
| Cable Diameter (Rigid) | 10 mm ² | | |



Different Earth Contact Positions (Clock Positions)

| | | | | |
|------------------------------|--------------------------------|--------------------------------|--------------------------------|--------------------------------|
| >50V 300-500 Hz 2h | 100-130V 50-60 Hz 4h | 200-250V 50-60 Hz 6h | 480-500V 50-60 Hz 7h | 380-415V 50-60 Hz 9h |
| 3024-307-1100-2h | 3024-307-0700-4h | 3024-307-0900 | 3024-307-0300-7h | 3024-307-1600-9h |



Tel: +90 232 880 90 01
Fax: +90 232 880 90 02



info@tpelectric.com.tr



Kemalpaşa O.S.B. 600 Sk. No:364
35730 Kemalpaşa - İZMİR / TÜRKİYE