

Technical Data Sheet

Date: 03/11/2022

4x32A CEE N. Panel Mount Socket Outlet

Ref. No: 3026-322-1675



Pack Unit

10



Weight

167 gr.



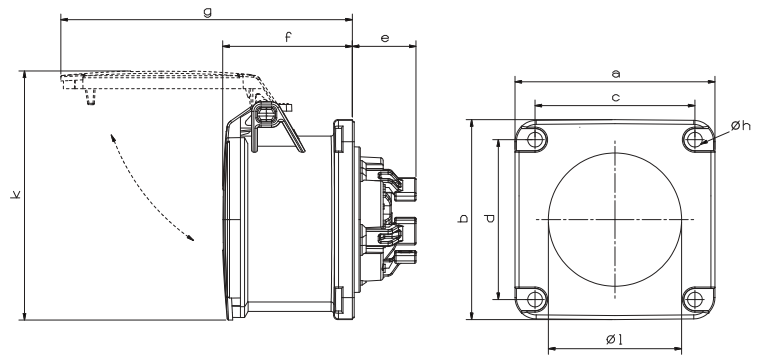
Technical Informations

Quick Connection

Ampere	32A
Voltage	380 - 415 V. AC
Hertz	50 - 60 Hz
Protection Class	IP 44
Clock Postion	6h
Number Of Poles	4 (3P + E)
Contact Material	Brass (CuZn)
Housing Material	PA6
Connection Type	Quick
Operation Temp. (-25 / + 40 IEC 60309)	-25 / +80 (1 hour -100° C)

Dimensions

a	75	e	30
b	75	f	58
c	60	g	122
d	60	Øh	5,5
Cable Dia. (Flex. Min.)	2,5 mm ²	Øl	56
Cable Dia. (Flex. Max.)	6 mm ²	k	98
Cable Dia. (Rigid Min.)	2,5 mm ²		
Cable Dia. (Rigid Max.)	10 mm ²		



Different Earth Contact Positions (Clock Positions)

 -50V 300-500 Hz 2h	 380V-50 Hz 440V-60Hz 3h	 100-130V 50-60 Hz 4h	 600-690V 50-60 Hz 5h	 380-415V 50-60 Hz 6h	 480-500V 50-60 Hz 7h	 200-250V 50-60 Hz 9h	 -50V 100-300 Hz 10h	 440-460V 60 Hz 11h
3026-322-1175-2h	3026-322-1675-3h	3026-322-0775-4h	3026-322-0375-5h	3026-322-1675	3026-322-0375-7h	3026-322-0975-9h	3026-322-1175-10h	3026-322-1675-11h



Tel: +90 232 880 90 01
Fax: +90 232 880 90 02



info@tpelectric.com.tr



Kemalpaşa O.S.B. 600 Sk. No:364
35730 Kemalpaşa - İZMİR / TÜRKİYE