

Technical Data Sheet

Date: 03/11/2022

3x32A CEE Norm Plug

Ref. No: 3025-301-0900



Pack Unit

10



Weight

223 gr.



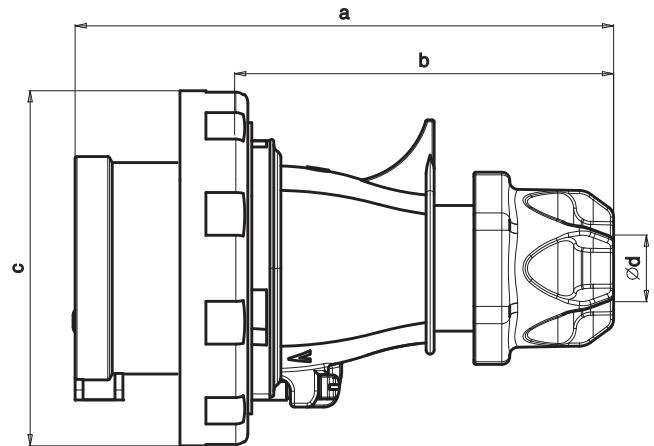
Technical Informations

Quick Connection

Ampere	32A
Voltage	200 - 250 V. AC
Hertz	50 - 60 Hz
Protection Class	IP 67
Clock Position	6h
Number Of Poles	3 (2P + E)
Contact Material	Brass (CuZn)
Housing Material	PA6
Connection Type	Quick
Operation Temp. (-25 / + 40 IEC 60309)	-25 / +80 (1 hour -100° C)

Dimensions

a	149
b	100
c	93
Ød	11-20,5
Cable Diameter (Min.)	2,5 mm ²
Cable Diameter (Max.)	10 mm ²



Different Earth Contact Positions (Clock Positions)

 3025-301-1100-2h	 3025-301-0700-4h	 3025-301-0900	 3025-301-0300-7h	 3025-301-1600-9h
----------------------	----------------------	-------------------	----------------------	----------------------



Tel: +90 232 880 90 01
Fax: +90 232 880 90 02



info@tpelectric.com.tr



Kemalpaşa O.S.B. 600 Sk. No:364
35730 Kemalpaşa - İZMİR / TÜRKİYE