

# Technical Data Sheet

Date: 03/11/2022

## 4x32A CEE N. Panel Mount Appliance Inlet (70x70)

Ref. No: 3026-319-1670



Pack Unit

10



Weight

152 gr.



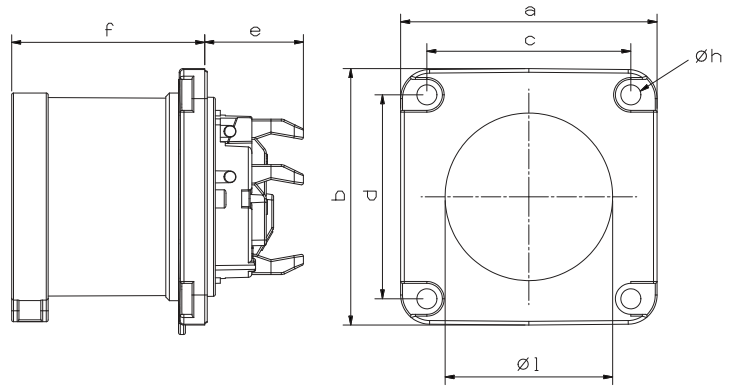
## Technical Informations

Quick Connection

<b>Ampere</b>	32A
<b>Voltage</b>	380 - 415 V. AC
<b>Hertz</b>	50 - 60 Hz
<b>Protection Class</b>	IP 44
<b>Clock Postion</b>	6h
<b>Number Of Poles</b>	4 (3P + E)
<b>Contact Material</b>	Brass (CuZn)
<b>Housing Material</b>	PA6
<b>Connection Type</b>	Quick
<b>Operation Temp.</b> (-25 / + 40 IEC 60309)	-25 / +80 (1 hour -100° C)

## Dimensions

<b>a</b>	70	<b>e</b>	27
<b>b</b>	70	<b>f</b>	53
<b>c</b>	56	<b>Øh</b>	5,5
<b>d</b>	56	<b>Øl</b>	56
<b>Cable Diameter (Min.)</b>	2,5 mm <sup>2</sup>		
<b>Cable Diameter (Max.)</b>	6 mm <sup>2</sup>		
<b>Cable Diameter (Rigid)</b>	2,5 mm <sup>2</sup>		
<b>Cable Diameter (Rigid)</b>	10 mm <sup>2</sup>		



## Different Earth Contact Positions (Clock Positions)

3026-319-1170-2h	3026-319-1670-3h	3026-319-0770-4h	3026-319-0370-5h	3026-319-1670	3026-319-0370-7h	3026-319-0970-9h	3026-319-1170-10h	3026-319-1670-11h



Tel: +90 232 880 90 01  
Fax: +90 232 880 90 02



info@tpelectric.com.tr



Kemalpaşa O.S.B. 600 Sk. No:364  
35730 Kemalpaşa - İZMİR / TÜRKİYE