

# Technical Data Sheet

Date: 03/11/2022

## 5x32A CEE N. Panel Mount Socket Outlet

Ref. No: 3007-322-1675



Pack Unit

10



Weight

200 gr.



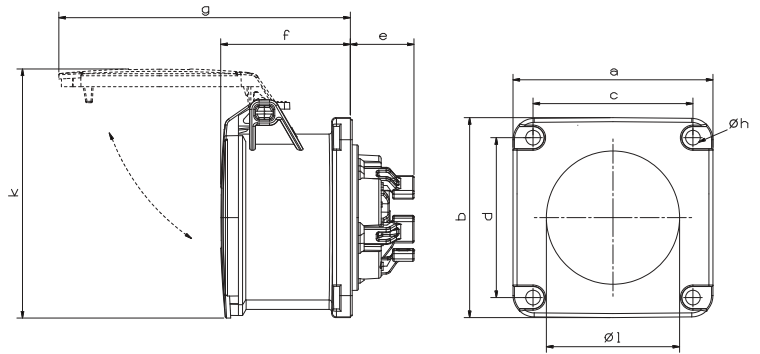
## Technical Informations

Quick Connection

Ampere	32A
Voltage	380 - 415 V. AC
Hertz	50 - 60 Hz
Protection Class	IP 44
Clock Postion	6h
Number Of Poles	5 (3P + N + E)
Contact Material	Brass (CuZn)
Housing Material	PA6
Connection Type	Quick
Operation Temp.	-25 / +80 (1 hour -100° C)
	(-25 / + 40 IEC 60309)

## Dimensions

a	75	e	30
b	75	f	58
c	60	g	128
d	60	Øh	5,5
Cable Dia. (Flex. Min.)	2,5 mm <sup>2</sup>	Øl	60
Cable Dia. (Flex. Max.)	6 mm <sup>2</sup>	k	104
Cable Dia. (Rigid Min.)	2,5 mm <sup>2</sup>		
Cable Dia. (Rigid Max.)	10 mm <sup>2</sup>		



## Different Earth Contact Positions (Clock Positions)

 >50V 300-500 Hz 2h	 220/380V 50 Hz 250/440V 60Hz 3h	 57/100V 75/130V 50-60 Hz 4h	 347/600V 400/690V 50-60 Hz 5h	 200/345V 240/415V 50-60 Hz 6h	 277/480V 288/500V 50-60 Hz 7h	 120/208V 144/250V 50-60 Hz 9h	 250/440V 265/460V 60 Hz 11h
3007-322-1175-2h	3007-322-1675-3h	3007-322-0775-4h	3007-322-0375-5h	3007-322-1675	3007-322-0375-7h	3007-322-0975-9h	3007-322-1675-11h



Tel: +90 232 880 90 01  
Fax: +90 232 880 90 02



info@tpelectric.com.tr



Kemalpaşa O.S.B. 600 Sk. No:364  
35730 Kemalpaşa - İZMİR / TÜRKİYE