

# Technical Data Sheet

Date: 03/11/2022

## 3x16A CEE Norm Plug

Ref. No: 3021-301-0900



**Pack Unit**

10



**Weight**

148 gr.



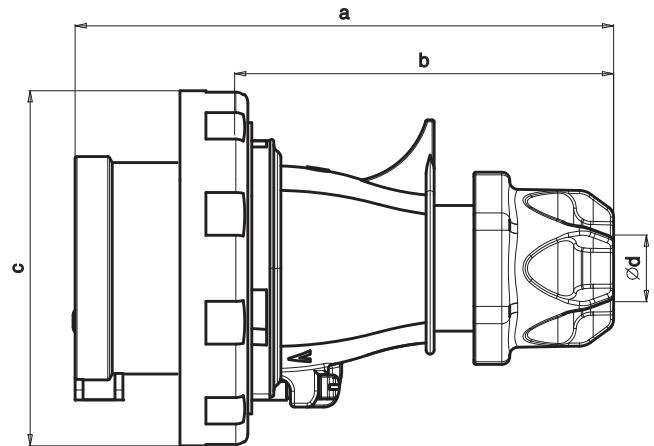
## Technical Informations

Quick Connection

<b>Ampere</b>	16A
<b>Voltage</b>	200 - 250 V. AC
<b>Hertz</b>	50 - 60 Hz
<b>Protection Class</b>	IP 67
<b>Clock Postion</b>	6h
<b>Number Of Poles</b>	3 (2P + E)
<b>Contact Material</b>	Brass (CuZn)
<b>Housing Material</b>	PA6
<b>Connection Type</b>	Quick
<b>Operation Temp.</b> (-25 / + 40 IEC 60309)	-25 / +80 (1 hour -100° C)

## Dimensions

<b>a</b>	124
<b>b</b>	83
<b>c</b>	72
<b>Ød</b>	6-16
<b>Cable Diameter (Min.)</b>	1 mm <sup>2</sup>
<b>Cable Diameter (Max.)</b>	4 mm <sup>2</sup>



## Different Earth Contact Positions (Clock Positions)

 >50V 300-500 Hz 2h	 100-130V 50-60 Hz 4h	 200-250V 50-60 Hz 6h	 480-500V 50-60 Hz 7h	 380-415V 50-60 Hz 9h
3021-301-1100-2h	3021-301-0700-4h	3021-301-0900	3021-301-0300-7h	3021-301-1600-9h



Tel: +90 232 880 90 01  
Fax: +90 232 880 90 02



info@tpelectric.com.tr



Kemalpaşa O.S.B. 600 Sk. No:364  
35730 Kemalpaşa - İZMİR / TÜRKİYE