

Technical Data Sheet

Date: 03/11/2022

4x32A CEE N. Panel Mount Socket (75x75)

Ref. No: 3027-322-1675



Pack Unit

10



Weight

240 gr.



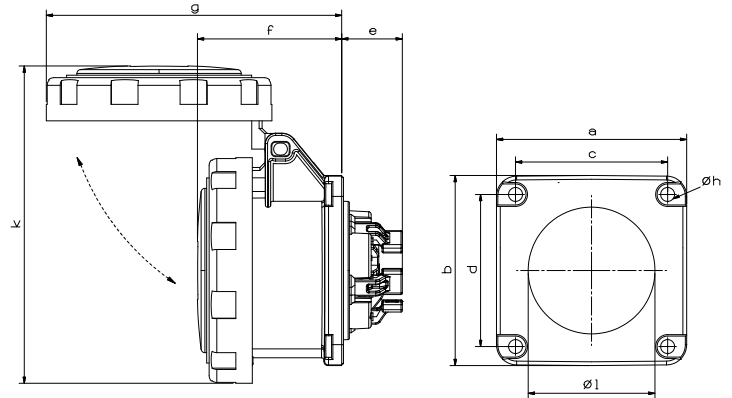
Technical Informations

Quick Connection

| | |
|---|----------------------------|
| Ampere | 32A |
| Voltage | 380 - 415 V. AC |
| Hertz | 50 - 60 Hz |
| Protection Class | IP 67 |
| Clock Position | 6h |
| Number Of Poles | 4 (3P + E) |
| Contact Material | Brass (CuZn) |
| Housing Material | PA6 |
| Connection Type | Quick |
| Operation Temp. (-25 / + 40 IEC 60309) | -25 / +80 (1 hour -100° C) |

Dimensions

| | | | |
|------------------------|---------------------|----|-----|
| a | 75 | e | 30 |
| b | 75 | f | 67 |
| c | 60 | g | 128 |
| d | 60 | k | 5,5 |
| Cable Diameter (Min.) | 2,5 mm ² | Øh | 56 |
| Cable Diameter (Max.) | 6 mm ² | M | 132 |
| Cable Diameter (Rigid) | 2,5 mm ² | | |
| Cable Diameter (Rigid) | 10 mm ² | | |



Different Earth Contact Positions (Clock Positions)

| | | | | | | | | |
|------------------------------|-----------------------------------|--------------------------------|--------------------------------|--------------------------------|--------------------------------|--------------------------------|-------------------------------|------------------------------|
| -50V 300-500 Hz 2h | 380V-50 Hz 440V-60Hz 3h | 100-130V 50-60 Hz 4h | 600-690V 50-60 Hz 5h | 380-415V 50-60 Hz 6h | 480-500V 50-60 Hz 7h | 200-250V 50-60 Hz 9h | -50V 100-300 Hz 10h | 440-460V 60 Hz 11h |
| 3027-322-1175-2h | 3027-322-1675-3h | 3027-322-0775-4h | 3027-322-0375-5h | 3027-322-1675 | 3027-322-0375-7h | 3027-322-0975-9h | 3027-322-1175-10h | 3027-322-1675-11h |



Tel: +90 232 880 90 01
Fax: +90 232 880 90 02



info@tpelectric.com.tr



Kemalpaşa O.S.B. 600 Sk. No:364
35730 Kemalpaşa - İZMİR / TÜRKİYE