

Technical Data Sheet

Date: 03/11/2022

5x16A CEE N. Surface Mount App. Inlet

Ref. No: 3005-312-1600



Pack Unit

5



Weight

230 gr.



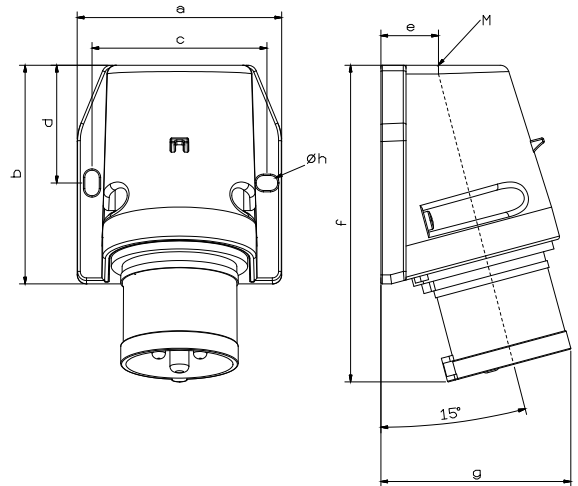
Technical Informations

Quick Connection

Ampere	16A
Voltage	380 - 415 V. AC
Hertz	50 - 60 Hz
Protection Class	IP 44
Clock Postion	6h
Number Of Poles	5 (3P + N + E)
Contact Material	Brass (CuZn)
Housing Material	PA6
Connection Type	Quick
Operation Temp. (-25 / + 40 IEC 60309)	-25 / +80 (1 hour -100° C)

Dimensions

a	88	e	22
b	88	f	123
c	76	g	84
d	48,5	Øh	5,3
Cable Diameter (Min.)	1 mm ²	M	M25x1,5
Cable Diameter (Max.)	2,5 mm ²		
Cable Diameter (Rigid)	1 mm ²		
Cable Diameter (Rigid)	4 mm ²		



Different Earth Contact Positions (Clock Positions)

3005-312-1100-2h	3005-312-1600-3h	3005-312-0700-4h	3005-312-0300-5h	3005-312-1600	3005-312-0300-7h	3005-312-0900-9h	3005-312-1600-11h



Tel: +90 232 880 90 01
Fax: +90 232 880 90 02



info@tpelectric.com.tr



Kemalpaşa O.S.B. 600 Sk. No:364
35730 Kemalpaşa - İZMİR / TÜRKİYE