

# Technical Data Sheet

Date: 03/11/2022

## 5x16A CEE N. Angled Panel Mount Socket

Ref. No: 3005-309-1600



Pack Unit

10



Weight

164 gr.



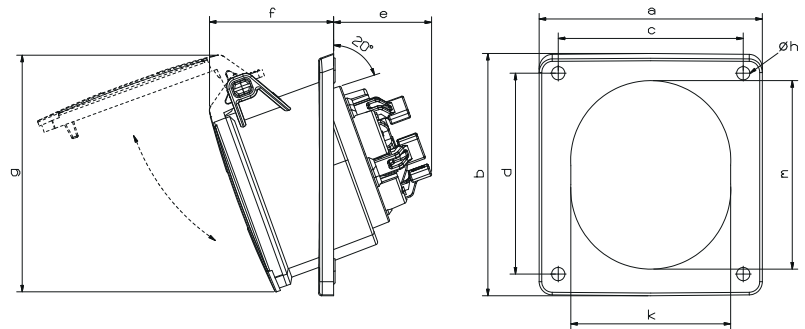
## Technical Informations

Quick Connection

<b>Ampere</b>	16A
<b>Voltage</b>	380 - 415 V. AC
<b>Hertz</b>	50 - 60 Hz
<b>Protection Class</b>	IP 44
<b>Clock Postion</b>	6h
<b>Number Of Poles</b>	5 (3P + N + E)
<b>Contact Material</b>	Brass (CuZn)
<b>Housing Material</b>	PA6
<b>Connection Type</b>	Quick
<b>Operation Temp.</b> (-25 / + 40 IEC 60309)	-25 / +80 (1 hour -100° C)

## Dimensions

<b>a</b>	83	<b>e</b>	37
<b>b</b>	90	<b>f</b>	47
<b>c</b>	70	<b>g</b>	90
<b>d</b>	76	<b>Øh</b>	5
<b>Cable Dia.</b> (Flex. Min.)	1 mm <sup>2</sup>	<b>Øl</b>	62
<b>Cable Dia.</b> (Flex. Max.)	2,5 mm <sup>2</sup>	<b>k</b>	72
<b>Cable Dia.</b> (Rigid Min.)	1 mm <sup>2</sup>		
<b>Cable Dia.</b> (Rigid Max.)	4 mm <sup>2</sup>		



## Different Earth Contact Positions (Clock Positions)

 >50V 300-500 Hz 2h	 220/380V 50 Hz 250/440V 60Hz 3h	 57/100V 75/130V 50-60 Hz 4h	 347/600V 400/690V 50-60 Hz 5h	 200/345V 240/415V 50-60 Hz 6h	 277/480V 288/500V 50-60 Hz 7h	 120/208V 144/250V 50-60 Hz 9h	 250/440V 265/460V 60 Hz 11h
3005-309-1100-2h	3005-309-1600-3h	3005-309-0700-4h	3005-309-0300-5h	3005-309-1600	3005-309-0300-7h	3005-309-0900-9h	3005-309-1600-11h



Tel: +90 232 880 90 01  
Fax: +90 232 880 90 02



info@tpelectric.com.tr



Kemalpaşa O.S.B. 600 Sk. No:364  
35730 Kemalpaşa - İZMİR / TÜRKİYE