

# Technical Data Sheet

Date: 03/11/2022

## 4x32A CEE Norm Plug

Ref. No: 3027-301-1600



**Pack Unit**

5



**Weight**

264 gr.



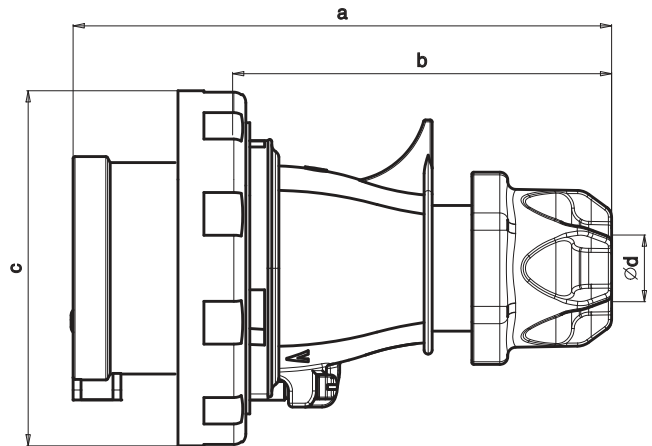
## Technical Informations

Quick Connection

<b>Ampere</b>	32A
<b>Voltage</b>	380 - 415 V. AC
<b>Hertz</b>	50 - 60 Hz
<b>Protection Class</b>	IP 67
<b>Clock Position</b>	6h
<b>Number Of Poles</b>	4 (3P + E)
<b>Contact Material</b>	Brass (CuZn)
<b>Housing Material</b>	PA6
<b>Connection Type</b>	Quick
<b>Operation Temp.</b> (-25 / + 40 IEC 60309)	-25 / +80 (1 hour -100° C)

## Dimensions

<b>a</b>	149
<b>b</b>	100
<b>c</b>	93
<b>Ød</b>	11-20,5
<b>Cable Diameter (Min.)</b>	2,5 mm <sup>2</sup>
<b>Cable Diameter (Max.)</b>	10 mm <sup>2</sup>



## Different Earth Contact Positions (Clock Positions)

 -50V 300-500 Hz 2h	 380V-50 Hz 440V-60Hz 3h	 100-130V 50-60 Hz 4h	 600-690V 50-60 Hz 5h	 380-415V 50-60 Hz 6h	 480-500V 50-60 Hz 7h	 200-250V 50-60 Hz 9h	 -50V 100-300 Hz 10h	 440-460V 60 Hz 11h
3027-301-1100-2h	3027-301-1600-3h	3027-301-0700-4h	3027-301-0300-5h	3027-301-1600	3027-301-0300-7h	3027-301-0900-9h	3027-301-1100-10h	3027-301-1600-11h



Tel: +90 232 880 90 01  
Fax: +90 232 880 90 02



info@tpelectric.com.tr



Kemalpaşa O.S.B. 600 Sk. No:364  
35730 Kemalpaşa - İZMİR / TÜRKİYE