

Technical Data Sheet

Date: 03/11/2022

5x32A CEE N. Panel Mount Socket (75x75)

Ref. No: 3008-322-1675



Pack Unit

10



Weight

260 gr.



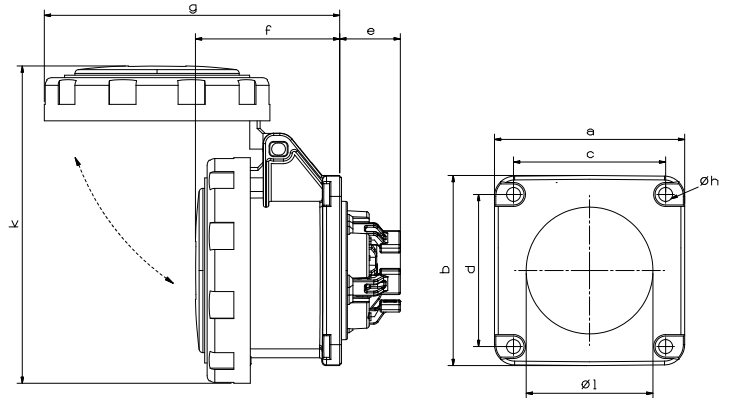
Technical Informations

Quick Connection

Ampere	32A
Voltage	380 - 415 V. AC
Hertz	50 - 60 Hz
Protection Class	IP 67
Clock Postion	6h
Number Of Poles	5 (3P + N + E)
Contact Material	Brass (CuZn)
Housing Material	PA6
Connection Type	Quick
Operation Temp. (-25 / + 40 IEC 60309)	-25 / +80 (1 hour -100° C)

Dimensions

a	75	e	30
b	75	f	67
c	60	g	133
d	60	k	5,5
Cable Diameter (Min.)	2,5 mm ²	Øh	60
Cable Diameter (Max.)	6 mm ²	M	140
Cable Diameter (Rigid)	2,5 mm ²		
Cable Diameter (Rigid)	10 mm ²		



Different Earth Contact Positions (Clock Positions)

 >50V 300-500 Hz 2h	 220/380V 50 Hz 250/440V 60Hz 3h	 57/100V 75/130V 50-60 Hz 4h	 347/600V 400/690V 50-60 Hz 5h	 200/345V 240/415V 50-60 Hz 6h	 277/480V 288/500V 50-60 Hz 7h	 120/208V 144/250V 50-60 Hz 9h	 250/440V 265/460V 60 Hz 11h
3008-322-1175-2h	3008-322-1675-3h	3008-322-0775-4h	3008-322-0375-5h	3008-322-1675	3008-322-0375-7h	3008-322-0975-9h	3008-322-1675-11h



Tel: +90 232 880 90 01
Fax: +90 232 880 90 02



info@tpelectric.com.tr



Kemalpaşa O.S.B. 600 Sk. No:364
35730 Kemalpaşa - İZMİR / TÜRKİYE