


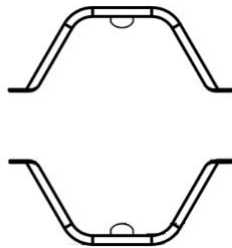
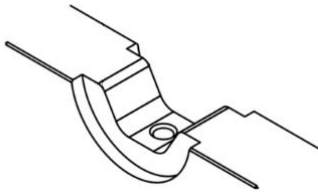

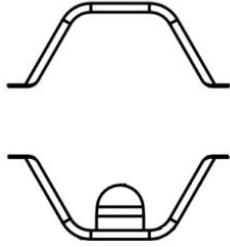
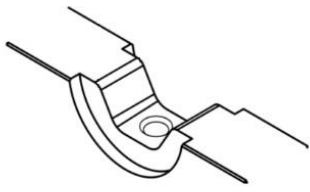
61795950	DATA SHEET
Valid from: 11.06.2025	Dies for systems 1311 and 1300

When crimping copper connectors for conductor cross-sections of 10-150 mm², only one crimp (hexagonal crimp) is required. For the number of crimps for larger cross-sections, see the following tables for the crimping dies. The B crimping dies listed below are intended for type KR/KRF and KS/KSF copper connectors for stranded and fine-stranded CU conductors of class 2 and 5 in accordance with IEC 60228. Crimping with the dual system is recommended for fine-stranded (class 5) copper conductors.

Suitable tools:

PVX 1300
V 1311

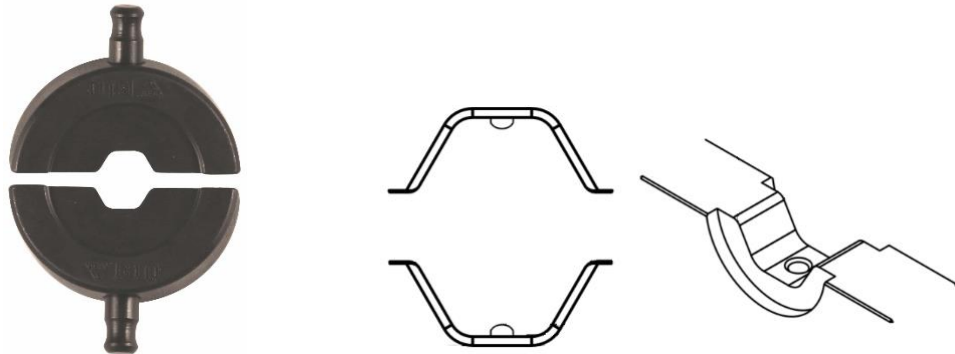
Measurement chart:

Article no.	Designation	Cross-section mm ²	Number of pressings	Crimp profile	Weight g
13B system (for PV1300, V1311)					
					
61796042	13B25	150mm ²	2	Hexagon	0,422g
61796043	13B26	240mm ²	2	Hexagon	0,413g
61796047	13B27	185mm ²	2	Hexagon	0,419g
61796044	13B30	240mm ²	2	Hexagon	0,413g
61796045	13B32	300mm ²	2	Hexagon	0,408g
61796046	13B38	400mm ²	3	Hexagon	0,308g
13DB system (for PVX1300)					
					
61795982	13DB8	10mm ²	1	Dual / Hexagonal	0,448g
61795983	13DB9	16mm ²	1	Dual / Hexagonal	0,447g
61795984	13DB11	25mm ²	1	Dual / Hexagonal	0,462g
61813899	13DB13	35mm ²	1	Dual / Hexagonal	0,477g
61795952	13DB14.5	50mm ²	1	Dual / Hexagonal	0,480g
61795985	13DB17	70mm ²	1	Dual / Hexagonal	0,486g

61795950	DATA SHEET
Valid from: 11.06.2025	Dies for systems 1311 and 1300

61813874	13DB20	95mm ²	1	Dual / Hexagonal	0,484g
61813871	13DB22	120mm ²	2	Dual / Hexagonal	0,441g
61795986	13DB25	150mm ²	2	Dual / Hexagonal	0,440g
61813873	13DB27	185mm ²	2	Dual / Hexagonal	0,443g
61795987	13DB30	240mm ²	2	Dual / Hexagonal	0,453g
61795988	13DB32	300mm ²	2	Dual / Hexagonal	0,428g

B system (for PV 1300, V1311 - jaw holders V1316/V1318 are required for pressing)



61795950	B7	10mm ²	1	Hexagon	0,101g
61795951	B8	10mm ²	1	Hexagon	0,101g
61795960	B8,5	16mm ²	1	Hexagon	0,101g
61795970	B9	16mm ²	1	Hexagon	0,103g
61795971	B10	25mm ²	1	Hexagon	0,106g
61795972	B11	25mm ²	1	Hexagon	0,109g
61795980	B12	35mm ²	1	Hexagon	0,108g
61795981	B13	35mm ²	1	Hexagon	0,113g
61795990	B14	50mm ²	1	Hexagon	0,112g
61795991	B14,5	50mm ²	1	Hexagon	0,111g
61796000	B16	70mm ²	1	Hexagon	0,107g
61796001	B17	70mm ²	1	Hexagon	0,107g
61796010	B18	95mm ²	1	Hexagon	0,120g
61796020	B19	120mm ²	1	Hexagon	0,118g
61796021	B20	95mm ²	1	Hexagon	0,115g
61796030	B22	120mm ²	1	Hexagon	0,148g
61796031	B24	150mm ²	1	Hexagon	0,139g
61796032	B25	150mm ²	1	Hexagon	0,135g

Jaw holder for 1300 system



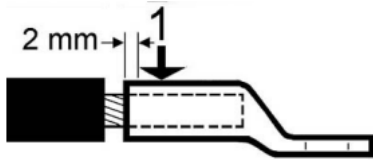
Pressbackenhalter außen
V1318



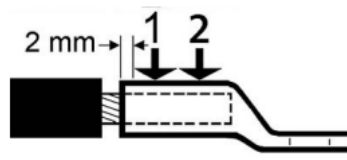
Pressbackenhalter innen
V1316

61795950	DATA SHEET		
Valid from: 11.06.2025	Dies for systems 1311 and 1300		

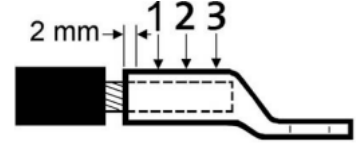
61795941	V1316 Interior	-	0,197
61795942	V1318 Exterior	-	0,309



Crimp sequence for one crimp.



Crimp sequence for two crimps.



Crimp sequence for three crimps.

Trade product, not a Lapp product.