


19040000	<b>DATA SHEET</b>	
Valid from: 26.05.2025	<b>EPIC® H-B 10 TG/TS</b>	

## Description

- The standard for housings. Large selection of different inserts.
- Easy-to-grip, user-friendly design makes it easy to plug and unplug the connector.



## General Characteristics

Series	H-B 10
Locking	pins for double lever
Cable entry	top / side
Protection (DIN EN 60529)	IP 65 (latched)
Protection (NEMA 250, UL50E)	4, 12 (latched)
Temperature Range	-40°C to +125°C

## Materials and Surfaces

Housing	aluminium alloy, powder-coated, grey
---------	--------------------------------------

## Approvals

UL-Approval, E-File-Number	E75770
----------------------------	--------


## Standard

Safety Standard	IEC 61984
-----------------	-----------

## Versions

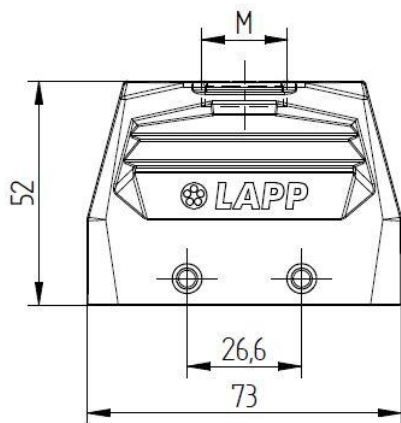
Article number	Article description	Thread M	Cable entry
19040000	EPIC® H-B 10 TG M20	M20x1,5	top
19040100	EPIC® H-B 10 TG M25	M25x1,5	top
19042000	EPIC® H-B 10 TS M20	M20x1,5	side
79077100	EPIC® H-B 10 TS M25	M25x1,5	side

Creator: VACH1/BU EPIC Released: TODV1/BU EPIC	Document: DB19040000EN Version: 02	Page 1 of 2
---	---------------------------------------	-------------

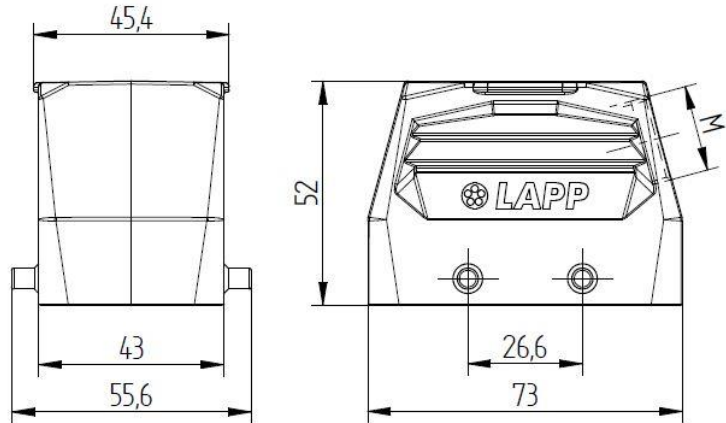
19040000	<b>DATA SHEET</b>	
Valid from: 26.05.2025	<b>EPIC® H-B 10 TG/TS</b>	

## Technical Drawings

Top cable entry



Side cable entry



Industrial machinery and plant engineering



Mechanical resistance



Robust



Waterproof



Automation

### Info

Universal, robust metal housings size H-B 10

### Application range

Plant engineering, Light & sound technology, Plastics industry

### Remark

Photographs are not to scale and do not represent detailed images of the respective products.

Creator: VACH1/BU EPIC Released: TODV1/BU EPIC	Document: DB19040000EN Version: 02	Page 2 of 2
---	---------------------------------------	-------------