


19139500	<b>DATA SHEET</b>	
Valid from: 29.08.2022	<b>EPIC® H-B 32 TBF</b>	

## Description

- The large, robust housing for two inserts of size 16



## General Characteristics

Series	H-B 32
Version	Coupler hood
Locking	Double lever
Cable entry	1x straight, see table
Gland body	See table
Protection (DIN EN 60529)	IP 65 (latched)
Temperature Range	-40°C to +100°C, short term up to +125°C

## Materials / Surfaces

Housing	Aluminium alloy, powder-coated, grey
Locking	Steel, zinc-plated
Gland body	Brass, nickel-plated
Sealing	NBR


## Standard

Safety Standard	IEC 61984
-----------------	-----------

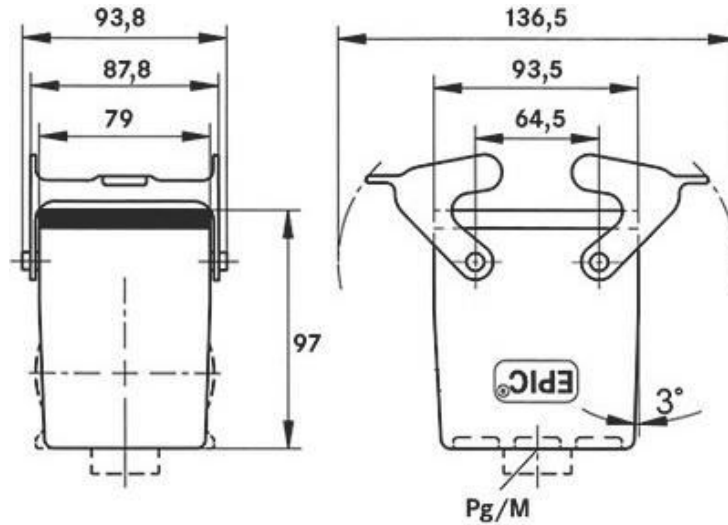
## Versions

Article number	Article description	Cable entry	Gland body
10139500	EPIC® H-B 32 TBF 29 ZW	Pg 29	Yes
19139500	EPIC® H-B 32 TBF M32	M32	No

Creator: BEGE1/PDP Released: IVSE1/PDP	Document: DB19139500EN Version: 00	Page 1 of 2
---	---------------------------------------	-------------

19139500	<b>DATA SHEET</b>	
Valid from: 29.08.2022	<b>EPIC® H-B 32 TBF</b>	

### Technical Drawings



Industrial machinery and plant engineering



Mechanical resistance



Robust



Waterproof

### Application range

Plant engineering, Control engineering, Plastics industry

### Remark

Photographs are not to scale and do not represent detailed images of the respective products.

Creator: BEGE1/PDP Released: IVSE1/PDP	Document: DB19139500EN Version: 00	Page 2 of 2
---	---------------------------------------	-------------