

19474000	DATA SHEET	
Valid from: 29.08.2022	EPIC® H-A 32 SG	

Description

- The large, robust housing for two inserts of size 16.



General Characteristics

Series	H-A 32
Version	Surface-mount base
Locking	Double lever
Cable entry	Lateral, see table
Gland body	See table
Protection (DIN EN 60529)	IP 65 (latched)
Temperature Range	-40°C to +100°C, short term up to +125°C

Materials / Surfaces

Housing	Aluminium alloy, powder-coated, grey
Locking	Steel, zinc-plated
Gland body	Brass, nickel-plated
Sealing	NBR

Standard

Safety Standard	IEC 61984
-----------------	-----------

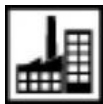
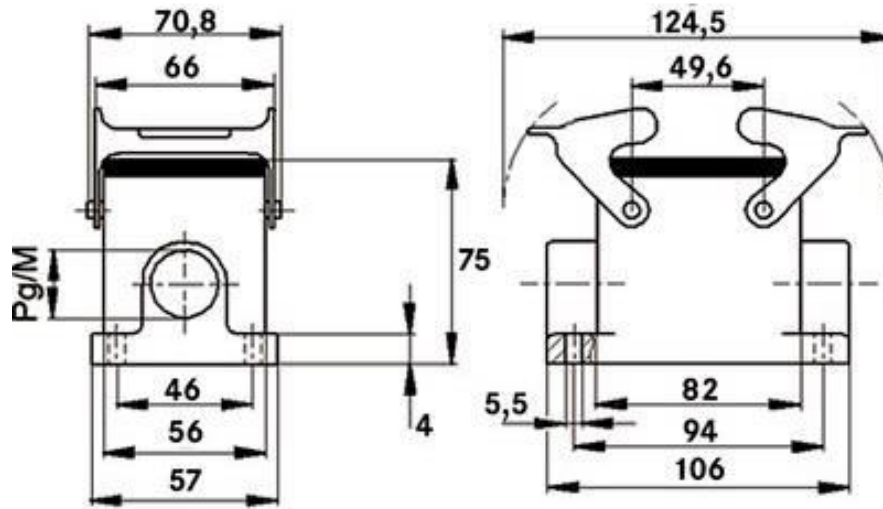
Versions

Article number	Article description	Cable entry (right)	Cable entry (left)	Gland body
10474000	EPIC® H-A 32 SGR 21 ZW	Pg 21	-	Yes
10474100	EPIC® H-A 32 SGR 29 ZW	Pg 29	-	Yes
10482000	EPIC® H-A 32 SGRL 21 ZW	Pg 21	Pg 21	Yes
19474000	EPIC® H-A 32 SGR M25 ZW	M25	-	Yes
19474100	EPIC® H-A 32 SGR M32 ZW	M32	-	Yes
19482000	EPIC® H-A 32 SGRL M25 ZW	M25	M25	Yes
19482100	EPIC® H-A 32 SGRL M32 ZW	M32	M32	Yes
79506800	EPIC® H-A 32 SGRL M40	M40	M40	No

Creator: BEGE1/PDP Released: IVSE1/PDP	Document: DB19474000EN Version: 00	Page 1 of 2
---	---------------------------------------	-------------

19474000	DATA SHEET	
Valid from: 29.08.2022	EPIC® H-A 32 SG	

Technical Drawings



Industrial machinery and plant engineering



Mechanical resistance



Robust



Waterproof

Application range

Machine and equipment manufacturing, Control engineering

Remark

Photographs are not to scale and do not represent detailed images of the respective products.

Creator: BEGE1/PDP Released: IVSE1/PDP	Document: DB19474000EN Version: 00	Page 2 of 2
---	---------------------------------------	-------------