

79150400	DATA SHEET	
Valid from: 14.11.2025	EPIC® H-B 24 TGH/TSH	

Description

- The standard for housings. Large selection of different inserts.
- Easy-to-grip, user-friendly design makes it easy to plug and unplug the connector.



General Characteristics

Series	H-B 24
Locking	pins for double lever
Cable entry	top / side
Protection (DIN EN 60529)	IP 65 (latched)
Protection (NEMA 250, UL50E)	4, 12 (latched)
Temperature Range	-40°C to +125°C

Materials and Surfaces

Housing	aluminium alloy, powder-coated, grey
Pins for lever	steel, zinc-plated

Approvals

UL-Approval, E-File-Number	E75770
----------------------------	--------

Standard

Safety Standard	IEC 61984
-----------------	-----------

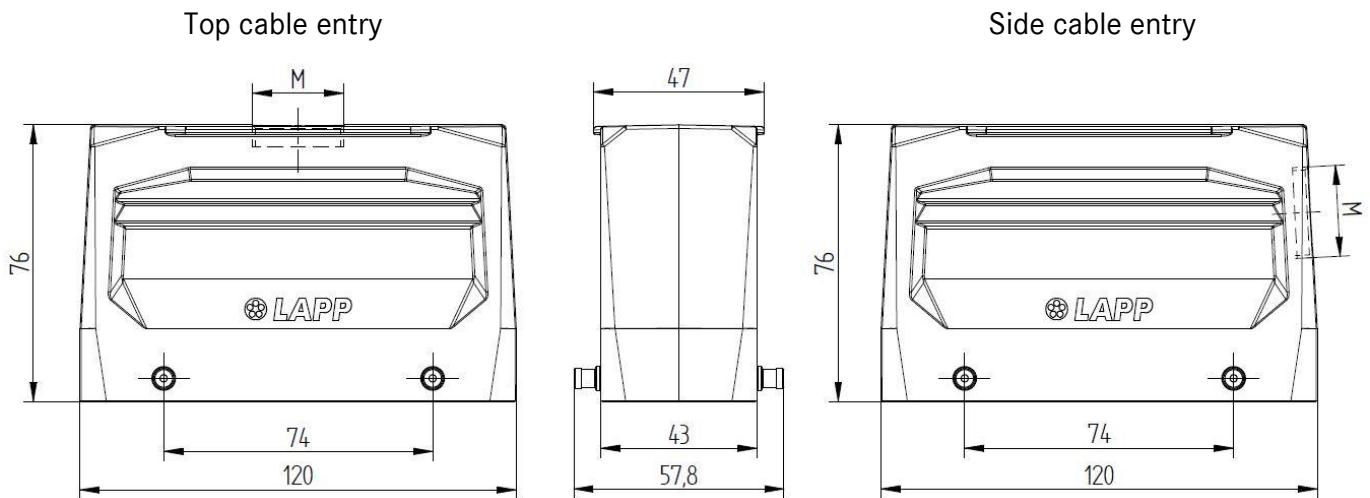
Versions

Article number	Article description	Thread M	Cable entry
79150400	EPIC® H-B 24 TGH M25	M25x1,5	top
79150600	EPIC® H-B 24 TGH M32	M32x1,5	top
79150800	EPIC® H-B 24 TGH M40	M40x1,5	top
44422021	EPIC® H-B 24 TGH 2 x M25	2 x M25x1,5	top
79178500	EPIC® H-B 24 TGH 2 x M32	2 x M32x1,5	top
70250260	EPIC® H-B 24 TGH 2 x M40	2 x M40x1,5	top
79152400	EPIC® H-B 24 TSH M25	M25x1,5	side
79152600	EPIC® H-B 24 TSH M32	M32x1,5	side
79152800	EPIC® H-B 24 TSH M40	M40x1,5	side

Creator: TODV1/BU EPIC Released: MAJU2/BU EPIC	Document: DB79150400EN Version: 02	Page 1 of 2
---	---------------------------------------	-------------

79150400	DATA SHEET	
Valid from: 14.11.2025	EPIC® H-B 24 TGH/TSH	

Technical Drawings



Industrial machinery and plant engineering



Mechanical resistance



Robust



Waterproof



Automation

Info

Universal, robust metal housings size H-B 24

Application range

Plant engineering, Light & sound technology, Plastics industry

Remark

Photographs are not to scale and do not represent detailed images of the respective products.

Creator: TODV1/BU EPIC Released: MAJU2/BU EPIC	Document: DB79150400EN Version: 02	Page 2 of 2
---	---------------------------------------	-------------