


19076900	DATA SHEET	
Valid from: 20.06.2022	EPIC® H-B 16 SD-LB	

Description

- The smallest housing out of the H-B series
- For inserts with high properties
- Industrial standard



General Characteristics

Series	H-B 16
Version	Surface-mount base with cover
Locking	Single lever
Cable entry	Lateral, see table
Gland body	See table
Protection (DIN EN 60529)	IP 65 (latched with hood)
Temperature Range	-40°C to +100°C, short term up to +125°C

Materials / Surfaces

Housing	Aluminium alloy, powder-coated, grey
Locking	Steel, zinc-plated
Gland body	Brass, nickel plated
Sealing	NBR
Cover	Aluminium alloy, powder-coated, grey


Standard

Safety Standard	IEC 61984
-----------------	-----------

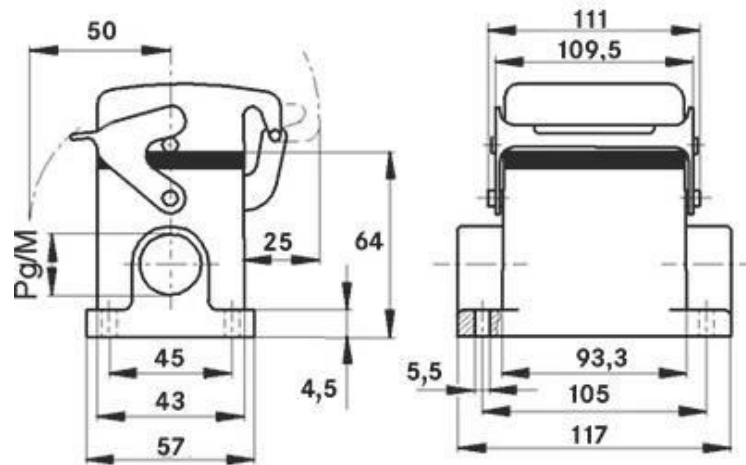
Versions

Article number	Article description	Cable entry (right)	Cable entry (left)	Gland body
10076900	EPIC® H-B 16 SDR-LB 21	Pg 21	-	No
10078900	EPIC® H-B 16 SDRL-LB 21	Pg 21	Pg 21	No
19076900	EPIC® H-B 16 SDR-LB M25	M25	-	No
19078900	EPIC® H-B 16 SDRL M25	M25	M25	No

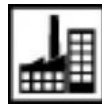
Creator: BEGE1/PDP Released: IVSE1/PDP	Document: DB19076900EN Version: 02	Page 1 of 2
---	---------------------------------------	-------------

19076900	DATA SHEET	
Valid from: 20.06.2022	EPIC® H-B 16 SD-LB	

Technical Drawings



Automation



Industrial machinery and plant engineering



Mechanical resistance



Robust



Waterproof

Info

Universal, robust metal housings size H-B 16

Application range

Plant engineering, Light & sound technology, Plastics industry

Remark

Photographs are not to scale and do not represent detailed images of the respective products.

Creator: BEGE1/PDP Released: IVSE1/PDP	Document: DB19076900EN Version: 02	Page 2 of 2
---	---------------------------------------	-------------