


44423374	DATA SHEET	
Valid from: 31.10.2024	EPIC® H-Q 008/0 MC / FC	

Description

- With 8 working contacts and one PE in the proven crimp technology
- High performance crimping contacts
- Contacts with Crimp termination not included



General Characteristics

Series	H-Q 008/0
Version	Male/Female (Article 44423374 / 44423375)
Number of Contacts	8+PE
Suitable Contacts	EPIC® H-BE 2.5 machined contacts
Termination Methods	Crimp Termination: 0,14 - 2,5 mm ² (AWG 26-12)
Temperature Range	-40°C to +125°C
Protection rating (DIN EN 60529)	IP 65 (latched with Housing)

Mechanical Characteristics

Cycle of mechanical operation	500
-------------------------------	-----

Electrical Characteristics

Rated Voltage, IEC	500 V
Rated Voltage, UL/CSA	600 V
Rated Impulse Voltage	6 kV
Rated Current, IEC	16 A
Rated Current, UL / CSA	16 A
Contact Resistance	< 3 mΩ
Degree of Soiling	3

Materials and Surfaces

Contacts	Copper alloy, hard silver/gold-plated
Insulating Body	Polycarbonate
Flammability Class according to UL 94	V0
Sealing	NBR
Mounting Screws	Stainless Steel 2,9x9,5


Approvals

UL-Approval, E-File-Number	E75770
----------------------------	--------

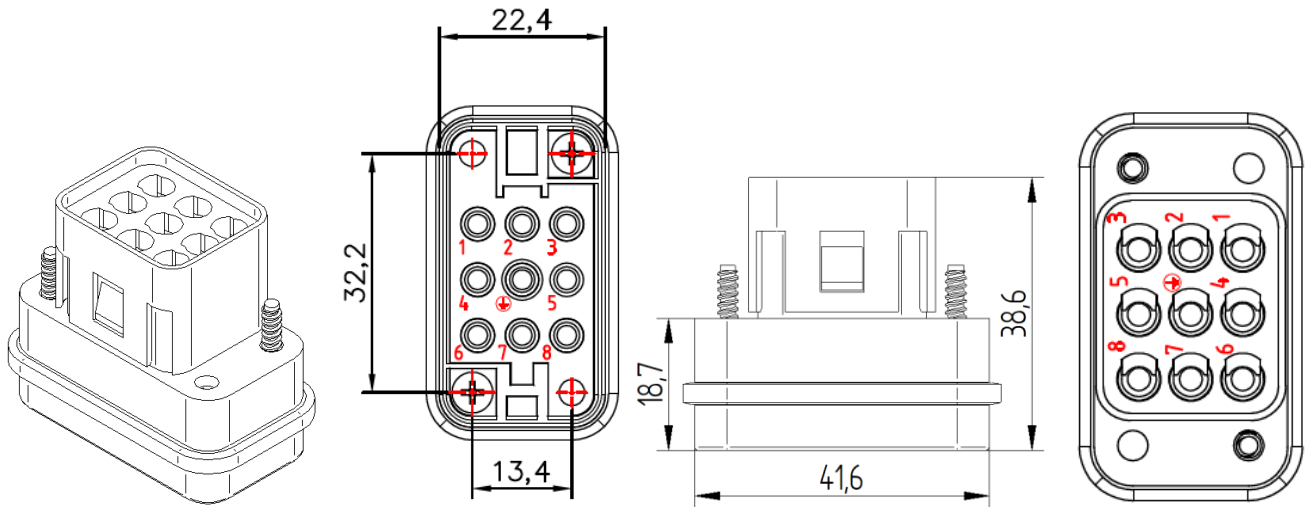
Standards

Safety Standards	IEC 61984, DIN EN ISO 60664, UL 1977 CSA 22.2 182.3
------------------	---

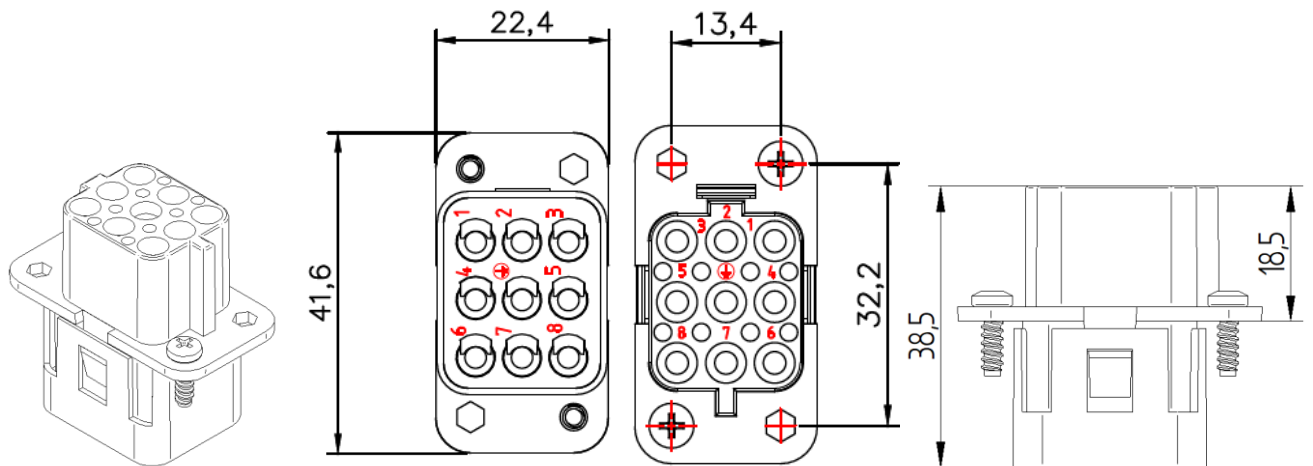
Creator: THBO1/BU-EPIC Released: FICE1/BU-EPIC	Document: DB44423376EN Version: 00	Page 1 of 2
---	---------------------------------------	-------------

44423374	DATA SHEET	
Valid from: 31.10.2024	EPIC® H-Q 008/0 MC / FC	

Technical Drawings



Technical Drawings and Polar Pattern MC



Technical Drawings and Polar Pattern FC



Industrial machinery and plant engineering

Info

Compact, powerful standard insert
Space saving, crimping contact

Application range

Machine and equipment manufacturing
Control engineering

Remark

Photographs are not to scale and do not represent detailed images of the respective products.

Creator: THBO1/BU-EPIC Released: FICE1/BU-EPIC	Document: DB44423376EN Version: 00	Page 2 of 2
---	---------------------------------------	-------------