


52106800	DATA SHEET	
Valid from: 06.06.2023	SKINDICHT® SKZ-M / SKZ-M-XL	

The SKINDICHT® SKZ-M is a saddle clamp strain relief gland for harsh applications. The arrangement of the saddle clamps provides a wide clamping range with central cable clamping. The seal is achieved by a recessed sealing ring and an O-ring fitted onto the connecting thread. This cable gland is particularly suitable for use in plugs, switches and control panels.

The SKINDICHT® SKZ-M-XL is similar to the SKINDICHT® SKZ-M, but has an extended connection thread for thick walls.



Components:

Gland body	Brass, nickel-plated
Pressure screw with double clamp	Brass, nickel-plated
Incised sealing ring	CR
Pressure washers	Steel, zinc-plated
O-ring	NBR

Technical features:

Connecting thread	M16x1.5 up to M32x1.5 acc. to EN 60423
Protection class	IP55 acc. to EN 60529
Temperature range	-20 °C up to +80 °C

Norm references:

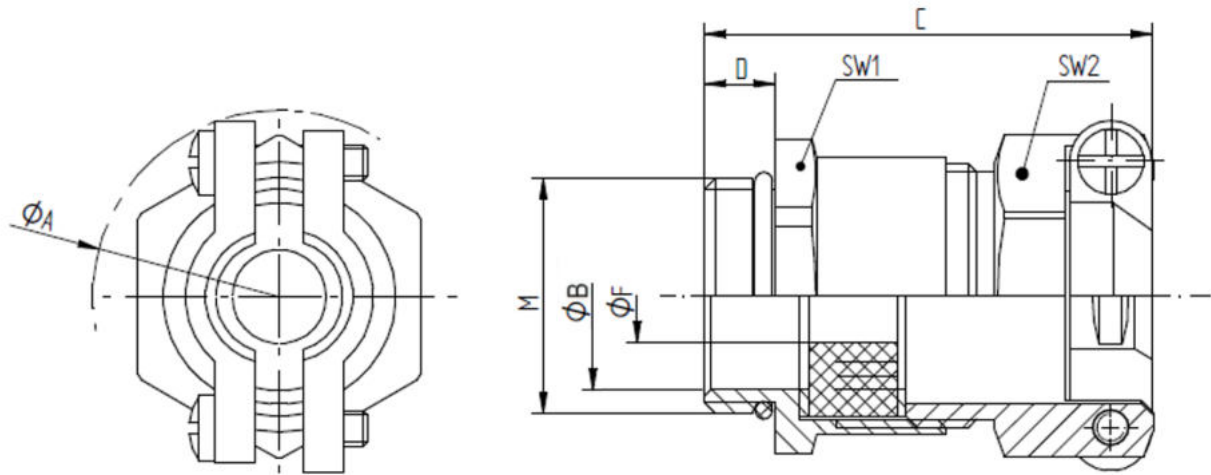


For more information please see our current catalogue. Please do not hesitate to contact our laboratory if there are any questions regarding resistance against aggressive agents and special oil.

Creator: FICE1 /PDP Released: VACH1/PDP	Document: DB52106800EN Version: 02	Page 1 of 2
--	---------------------------------------	-------------

52106800	DATA SHEET	
Valid from: 06.06.2023	SKINDICHT® SKZ-M / SKZ-M-XL	

Product drawing:



Dimension tables:

SKINDICHT® SKZ-M

M	SW1 / SW2 [mm]	Ø A [mm]	C [mm]	D [mm]	Ø F [mm] Incised sealing ring	Ø B [mm]	O-Ring [mm]	Article No.
M16x1,5	18 / 17	28	29,0	5	5/8	10	13x1,5	52106800
M20x1,5	22 / 20	30	30,0	6	7/10/12,5	12	17x1,5	52106810
M20x1,5	22 / 22	34	33,5	6	7/10,5/13/16	14	17x1,5	52106820
M20x1,5	24 / 24	36	34,5	6	8/10,5/13,5/16	15	17x1,5	52106830
M25x1,5	30 / 30	46	41,0	7	11/15/18/20	20	22x2	52106840
M32x1,5	40 / 41	58	46,0	8	18/23/27/31	27	28x2	52106850

SKINDICHT® SKZ-M-XL

M	SW1 / SW2 [mm]	Ø A [mm]	C [mm]	D [mm]	Ø F [mm] Incised sealing ring	Ø B [mm]	O-Ring [mm]	Article No.
M16x1,5	18 / 17	28	34,0	10	5/8	10	13x1,5	52106805
M20x1,5	22 / 20	30	34,0	10	7/10/12,5	12	17x1,5	52106815
M20x1,5	22 / 22	34	37,5	10	7/10,5/13/16	14	17x1,5	52106825
M20x1,5	24 / 24	36	38,5	10	8/10,5/13,5/16	15	17x1,5	52106835
M25x1,5	30 / 30	46	45,0	11	11/15/18/20	20	22x2	52106845
M32x1,5	40 / 41	58	51,0	13	18/23/27/31	27	28x2	52106855