


44429476	DATA SHEET	
Valid from: 28.06.2024	EPIC® DATA M12X8MSC	

Description

- Circular connector with screw locking for high data rates
- Safe use in the field thanks to high degree of protection
- M12 X-coded according to product standard



General characteristics

Series	Data M12X
Execution	Field-configurable M12X-code pin version
Pole image	8 Pole
Rated voltage in V	63 V
Rated current in A	0,5 A
Cable connection	Crimp connection: 26-28 AWG
Clamping range-Ø	Ø 5.5 - 6.5 mm (small inner diameter) Ø 6.5 - 7.5 mm (medium inner diameter) Ø 7.5 - 8.5 mm (large inner diameter)
Protection class (plugged and locked)	IP 67
Mating cycles	100
Temperature range	Normative: -25°C to +85°C
Degree of soiling	3


Materials/surface

Housing	Copper alloy, nickel-plated
Contacts	Copper alloy, gold-plated

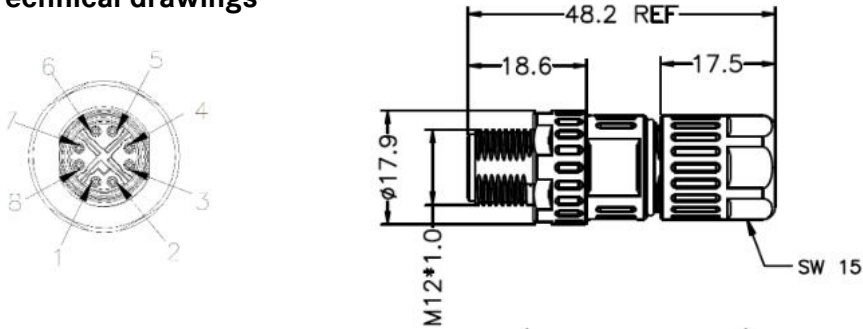
Standards

Product standard	DIN EN IEC 6 1076-2-109:2015-02
------------------	---------------------------------

Creator: STKU3/PDP Released: IVSE1/PDP	Document: DB44429476EN Version: 01	Page 1 from 2
---	---------------------------------------	---------------

44429476	DATA SHEET	
Valid from: 28.06.2024	EPIC® DATA M12X8MSC	

Technical drawings



Corrosion resistant



Mechanical and plant engineering



Mechanical resistance



Assembly time



Space requirement



Robust



Waterproof

Areas of application

Plant engineering, EtherCAT, EtherNet and 4-pair PROFINET applications

Note

The photographs are not to scale and are not detailed images of the respective products.

Creator: STKU3/PDP Released: IVSE1/PDP	Document: DB44429476EN Version: 01	Page 2 from 2
---	---------------------------------------	---------------