


24441171	<b>DATA SHEET</b>	
Valid from: 11.08.2023	<b>EPIC® POWER LS1 3+PE+4 MALE</b>	

## Description

- Inserts for circular connectors EPIC® POWER LS1 AID



## General characteristics

Series	EPIC® POWER LS1 AID
Version	Male, Package unit = 20 pcs
Number of poles	3+PE+4
Connection type	Crimp termination
Connection cross section for 1 mm contacts	0,14 mm <sup>2</sup> - 1,0 mm <sup>2</sup>
Connection cross section for 2 mm contacts	0,5 mm <sup>2</sup> - 2,5 mm <sup>2</sup>
Temperature range	-25 to +125 °C

## Mechanical characteristics

Cycles of mechanical operation	500
--------------------------------	-----

## Electrical characteristics

Rated voltage for 2 mm contacts	630 V
Rated impulse voltage	6 kV
Rated current	25 A
Rated voltage for 1 mm contacts	250 V
Rated impulse voltage	4 kV
Rated current	7 A
Contact resistance working signal contacts	< 4 mOhm
Contact resistance PE- contact	< 100 mOhm
Degree of soiling	3

## Materials and surfaces

Contact carrier	PA
Insulating sleeve	PA
PE spring	Copper Alloy


## Approvals

UL-File-Number	Approval in pending
----------------	---------------------

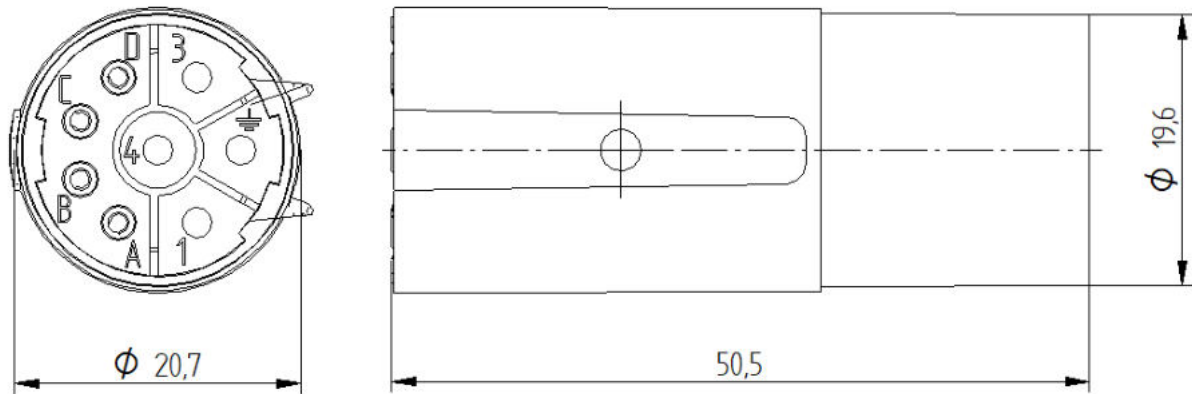
## Standard

Safety Standard	IEC 61984
-----------------	-----------

Creator: LEBU1/PDP Released: IVSE1/PDP	Document: DB24441171EN Version: 00	Page 1 of 2
-------------------------------------------	---------------------------------------	-------------

24441171	<b>DATA SHEET</b>	
Valid from: 11.08.2023	<b>EPIC® POWER LS1 3+PE+4 MALE</b>	

### Technical Drawing



Good chemical resistance



Industrial machinery and plant engineering



Mechanical resistance



Assembly time



Robust



Wind Energy



Variety of approval certifications

### Application range

Plant engineering  
Servo drives and servo assemblies.

### Remark

Photographs are not to scale and do not represent detailed images of the respective products.

Creator: LEBU1/PDP Released: IVSE1/PDP	Document: DB24441171EN Version: 00	Page 2 of 2
-------------------------------------------	---------------------------------------	-------------