


54114300	<b>DATA SHEET</b>	
Valid from: 30.09.2024	<b>SKINTOP® HYGIENIC SC NPT</b>	

The SKINTOP® HYGIENIC SC is a high quality cable gland that is suitable for hygienic critical areas. The innovative hygienic design prevents food machines, facilities or components from risk of contamination. The cable gland is suitable for use in applications where mechanical and chemical stability to very aggressive media is required and offers quality and safety in food, pharmaceutical and chemical industry.

The SKINTOP® HYGIENIC SC is especially designed for copper-screened cables in order to achieve a low-resistance screen contact, strain relief and high protection class.

**Material:**

Gland body	Stainless steel – V4A (1.4404 / 316L)
Cap nut	Stainless steel – V4A (1.4404 / 316L)
Insert with lamellar cage	Polyamide
Seals	Special elastomer – conform to FDA 21 CFR 177.2600
Contact spring	CuBe, tin-plated

**Technical features:**

Connecting thread	NPT 1/4" bis NPT 3/4" nach ASME B1.20.1-2013
Protection class	IP68 – 10 bar, test acc. to EN 60529 IP69 acc. to EN 60529
NEMA Type Rating	Type 1, Type 2, Type 4X, Type 6, Type 12 acc. to UL50E
Strain relief	Category A
Transfer impedance	< 0,1 Ohm
Temperature range	-20 °C up to +100 °C

**Additional feature:**

- High functional safety
- Optimal strain relief
- Wide and variable clamping range
- Hygienic design
- Product zone (food)



**Approbations:**



UL File Nr. 79903  
(Test in acc. to UL514B)  
UL-approval for sizes M12x1,5 up to M25x1,5



**Reference standards:**

**DIN EN ISO 14 159**  
Safety of machinery - Hygiene requirements for the design of machinery


**DIN EN 1672-2**  
Food processing machinery - Basic concepts – Part 2: Hygiene requirements



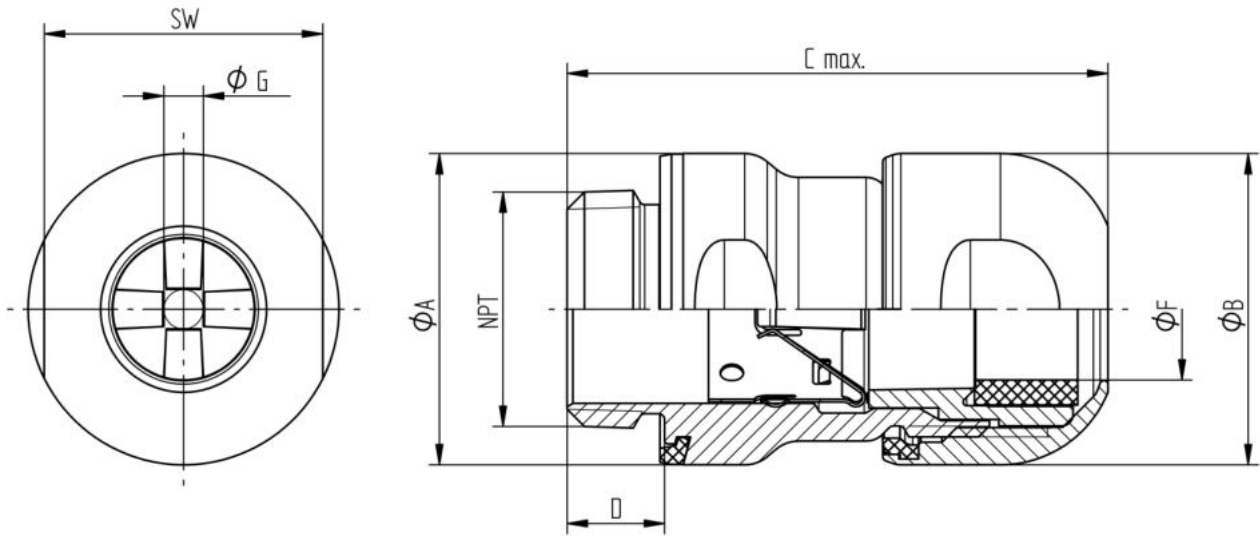
**Suitable accessories:**

SKINDICHT® SM-NPT

Creator: MAU1/PDP Released: DAMU1/PDP	Document: DB54114300EN Version: 03	Page 1 of 2
--	---------------------------------------	-------------

54114300	<b>DATA SHEET</b>	
Valid from: 30.09.2024	<b>SKINTOP® HYGIENIC SC NPT</b>	

**Technical drawing:**



**SKINTOP® HYGIENIC SC NPT**

Article number	Article description	NPT	SW [mm]	$\phi A$ [mm]	$\phi B$ [mm]	C max. [mm]	D [mm]	$\phi F$ [mm] EN 62444 Clamping range	$\phi F$ [mm] EHEDG Clamping range	$\phi G$ min. [mm] Over Braiding
54114300	SKINTOP HYGIENIC SC NPT 1/4"	1/4"	16	18,8	18,8	39,5	7,0	4,0 - 6,0	4,0 - 5,0	2
54114310	SKINTOP HYGIENIC SC NPT 3/8"	3/8"	20	22,8	22,8	42,5	7,8	6,5 - 9,0	6,5 - 8,0	4
54114320	SKINTOP HYGIENIC SC NPT 1/2"	1/2"	24	26,8	26,8	47	8,4	9,0 - 12,0	9,0 - 10,5	5
54114330	SKINTOP HYGIENIC SC NPT 3/4"	3/4"	29	31,8	31,8	50	8,8	11,5 - 15,5	11,5 - 14,0	7,5

For more information please see our current catalogue. Please do not hesitate to contact our laboratory if there are any questions regarding resistance against aggressive agents and special oil.

Creator: MAAU1/PDP Released: DAMU1/PDP	Document: DB54114300EN Version: 03	Page 2 of 2
---	---------------------------------------	-------------