


21700865	DATA SHEET	
Valid from: 19.01.2024	EPIC® DATA SPE-6 FA M CS1	

Description

- Field-attachable SPE connector in accordance with DIN EN IEC 63171-6
- For single-pair Ethernet
- Power-over-Data-Line (PoDL)-capable connector for simultaneous power and data supply of SPE end devices with power requirements of up to 50 W (IEEE 802.3bu)



General characteristic values

Connection type, plug connector	SPE connector, field-wireable, crimp contact
Number of poles	2
Ambient temperature (operation)	-25°C to +85°C
Protection class	IP 20
Shielding	Shielded
For cable Ø	Ø4.5 mm to Ø6.0 mm
Mating cycles min.	1000

Electrical properties

Rated voltage	60 VDC (max.)
Rated current	4 A
Degree of soiling	2
Contact resistance	≤ 20 mΩ
Insulation resistance	≥ 500 MΩ
Shield resistance	≤ 100 mΩ
Dielectric strength	≥ 1000 V DC contact to contact ≥ 2250 V DC Contacts to shield

Transmission properties


10 Base-T1	IEEE 802.3cg
100Base-T1	IEEE 802.3bw
1000Base-T1	IEEE 802.3bp

Mechanical properties

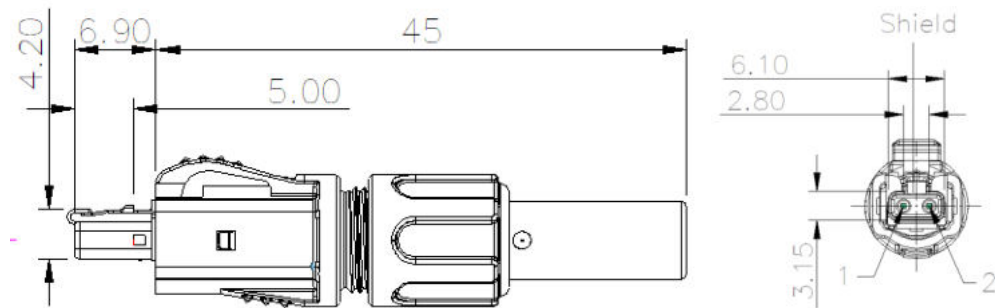
SPE plug

Flammability class according to UL 94	HB
Plug housing, material	PA
Contact housing, material	PPS
Strain relief, material	TPU
Pressure screw	PPS
Shielding plate, material	Tinned spring steel
Contacts, material	Bronze, gold-plated

Creator: STKU3/PDP Released: IVSE1/PDP	Document: DB21700865EN Version: 00	Page 1 from 2
---	---------------------------------------	---------------

21700865	DATA SHEET	
Valid from: 19.01.2024	EPIC® DATA SPE-6 FA M CS1	

Technical drawings



Standard

Product standard, SPE connectors

DIN EN IEC 63171-6

Areas of application

Automation, mechanical and plant engineering, sensors

Remark

The photographs are not to scale and are not detailed images of the respective products.

Creator: STKU3/PDP Released: IVSE1/PDP	Document: DB21700865EN Version: 00	Page 2 from 2
---	---------------------------------------	---------------