


44429475	DATA SHEET	
Valid from: 31.07.2025	EPIC® DATA M12D4FS-RJ45FS	

Description

- Adapter M12D-RJ45
- Ethernet Cat5
- 90° or 180° type



Variation

Article-No.	Description	Type
44429475	EPIC® DATA M12D4FS-RJ45FS	180° (straight)
38119454	EPIC® DATA M12D4FS-90-RJ45FS	90° (angled)

General characteristic

Number of poles	4
Ambient temperature (operation)	-20 to +80 °C
Protection class	IP 67 (M12D) / IP 20 (RJ45)
Coding	D-Standard
Tightening torque	0.4 -1.6 Nm (M12 plug connector)
Mating cycles	≥ 100

Electrical properties

Rated voltage	50 V DC / 60 V AC
Rated current at 50 °C	0,5 A
Pollution degree	2


Materials

Contact carrier, material	PVC
Contact surface, material	Ni / Au
Knurl, material	Brass, nickel-plated
Handle body, material	PVC

Standard

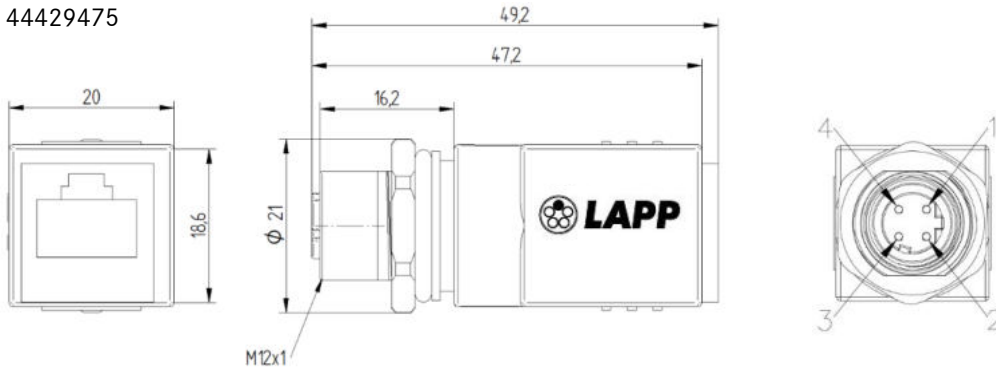
Product standard, RJ45 plug connector	IEC 60603-7-51
Product standard, M12 plug connector	IEC 61076-2-101

Creator: JUKL2 / BU EPIC Released: THBO1 / BU EPIC	Document: DB44429475EN Version: 01	Page 1 from 2
---	---------------------------------------	---------------

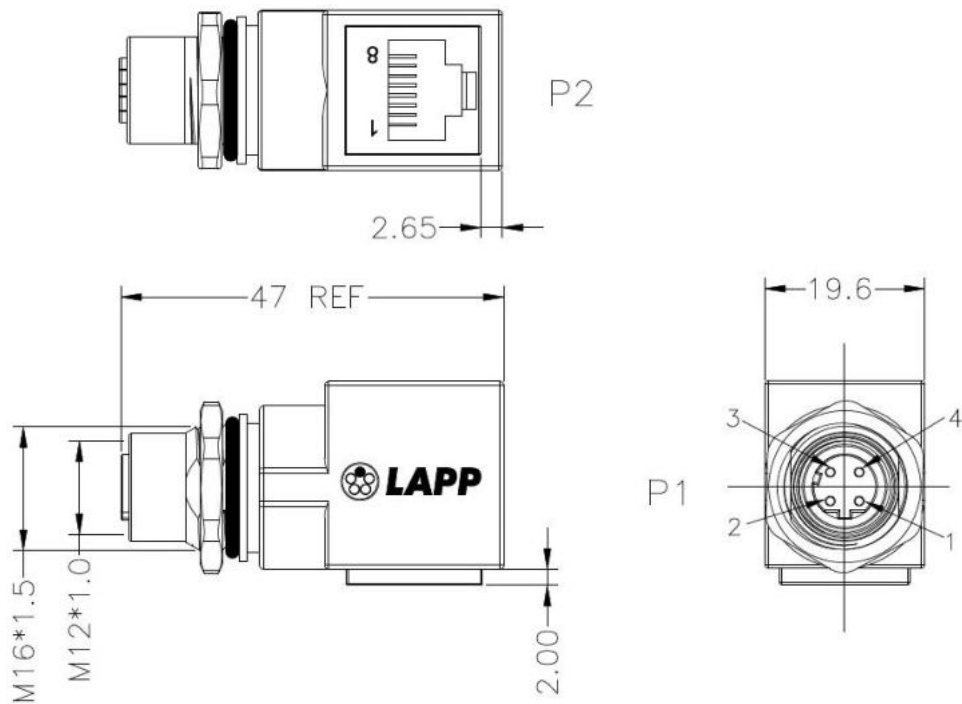
44429475	DATA SHEET	
Valid from: 31.07.2025	EPIC® DATA M12D4FS-RJ45FS	

Technical drawings

44429475



38119453



Wire list

P1	COLOR	P2
1	ORANGE/WHITE	1
3	ORANGE	2
2	BLUE/WHITE	3
4	BLUE	6
SHELL	BLACK	SHELL

Areas of application

Wall bushing for Ethernet connections

Hint

The photographs are not to scale and are not detailed images of the respective products.

Creator: JUKL2 / BU EPIC Released: THBO1 / BU EPIC	Document: DB44429475EN Version: 01	Page 2 from 2
---	---------------------------------------	---------------