


24441169	DATA SHEET	
Valid from: 11.08.2023	EPIC® POWER LS1 5+PE MALE	

Description

- Inserts for circular connectors EPIC® POWER LS1 AID



General characteristics

Series	EPIC® POWER LS1 AID
Version	Male, Package unit = 20 pcs
Number of poles	5+PE
Connection type	Crimp termination
Connection cross section for 2 mm contacts	0,5 mm ² - 2,5 mm ²
Temperature range	-25 to +125 °C

Mechanical characteristics

Cycles of mechanical operation	500
--------------------------------	-----

Electrical characteristics

Rated voltage for 2 mm contacts	630 V
Rated impulse voltage	6 kV
Rated current	25 A
Contact resistance working signal contacts	< 4 mOhm
Contact resistance PE- contact	< 100 mOhm
Degree of soiling	3

Materials and surfaces

Contact carrier	PA
Insulating sleeve	PA
PE spring	Copper Alloy


Approvals

UL-File-Number	Approval in pending
----------------	---------------------

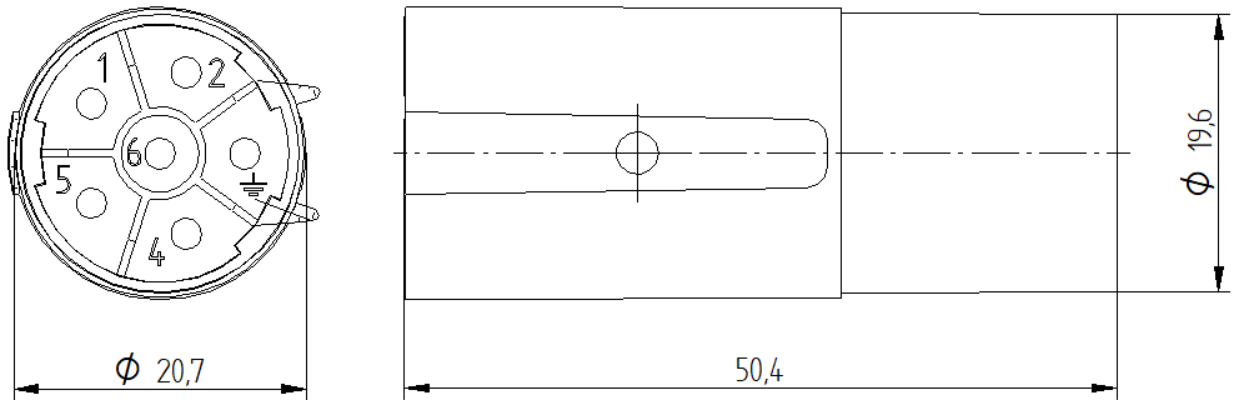
Standard

Safety Standard	IEC 61984
-----------------	-----------

Creator: LEBU1/PDP Released: IVSE1/PDP	Document: DB24441169EN Version: 00	Page 1 of 2
---	---------------------------------------	-------------

24441169	DATA SHEET	
Valid from: 11.08.2023	EPIC® POWER LS1 5+PE MALE	

Technical Drawing



Good chemical resistance



Industrial machinery and plant engineering



Mechanical resistance



Assembly time

Application range

Plant engineering
Servo drives and servo assemblies.

Remark

Photographs are not to scale and do not represent detailed images of the respective products.

Creator: LEBU1/PDP Released: IVSE1/PDP	Document: DB24441169EN Version: 00	Page 2 of 2
---	---------------------------------------	-------------