
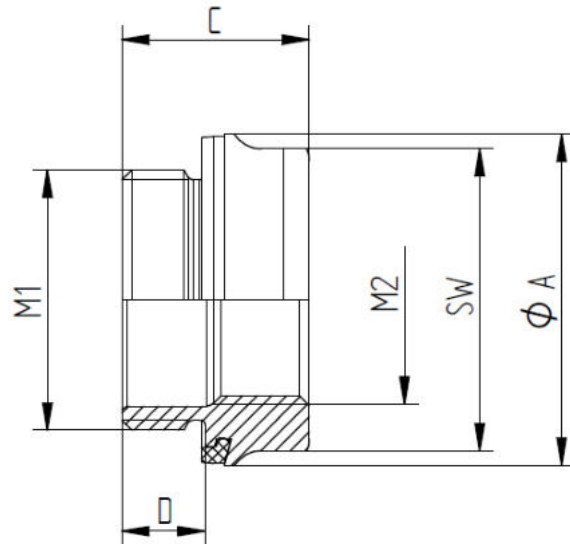


52103596	DATA SHEET	
Valid from: 13.09.2023	SKINDICHT® HYGIENIC R-M	

Technical drawing:



Article number	Article description	M1	M2	SW [mm]	Ø A [mm]	C [mm]	D [mm]
52103596	SKINDICHT HYGIENIC R-M 16/12	M16x1,5	M12x1,5	20	22,8	15,5	7
52103597	SKINDICHT HYGIENIC R-M 20/12	M20x1,5	M12x1,5	24	26,8	17,5	8
52103598	SKINDICHT HYGIENIC R-M 20/16	M20x1,5	M16x1,5	24	26,8	17,5	8
52103599	SKINDICHT HYGIENIC R-M 25/16	M25x1,5	M16x1,5	29	31,8	18	8
52103600	SKINDICHT HYGIENIC R-M 25/20	M25x1,5	M20x1,5	29	31,8	18	8
52103601	SKINDICHT HYGIENIC R-M 32/20	M32x1,5	M20x1,5	36	39,6	21	9
52103602	SKINDICHT HYGIENIC R-M 32/25	M32x1,5	M25x1,5	36	39,6	21	9

Photographs are not to scale and do not represent detailed images of the respective products.
For more information, please see our current catalogue.

Creator: TODV1/PDP Released: VACH1/PDP	Document: DB52103596EN Version: 03	Page 2 of 2
---	---------------------------------------	-------------