

22260770	DATA SHEET	
Valid from: 24.01.2024	AB-PB-(L*)PUR-M12FS	

Product description

- Bus system cable, 2-pol, shielded, PUR halogen free, purple
- PROFIBUS (12 Mbit/s)
- Straight M12-jack fast connect on free conductor end



General characteristics

Fieldbus	PROFIBUS 12 MBit/s (max. 100 m)
Number of pins	2
Ambient temperature	-25 °C to +90 °C (-13°F to 194°F) (plug / jack) -40 °C to +80 °C (-40°F to 176°F) (cable, fixed installation) -30 °C to +70 °C (-22°F to 158°F) (cable, movable installation) -20 bis +60 °C (-4°F bis 140°F) (at installation) -20 bis +60 °C (-4°F bis 140°F) (cable, drag chain use)
Degree of protection	IP65 / IP67
Stripping length of the free cable end	50 mm
Coding	B- inverse
Tightening torque	0,4 Nm (M12-connector)
Plugging cycles	≥ 100

Variation

Article number	Description	Length [m]	Configuration
22260770	AB-PB-2,0PUR-M12FS	2	straight
22260771	AB-PB-5,0PUR-M12FS	5	straight
22260772	AB-PB-10,0PUR-M12FS	10	straight

Additional note

Data sheet also valid for variant lengths. Other lengths on request.


Electrical properties

Rated voltage	60 V DC / 48 V AC
Rated current	4 A
Overvoltage category	II
Pollution degree	3
Characteristic impedance, line	120 Ω ± 10 % (bei 1 MHz)

Connector pin assignment

Pol = color of conductor (Signal) = Pol (optional)	2 (plug) = GN (A-Leitung) 4 (plug) = RD (B-Leitung)
--	--

Creator: THLE3/PDP Released: IVSE1/PDP	Document: DB22260770EN Version: 04	Page 1 of 3
---	---------------------------------------	-------------

22260770	DATA SHEET	
Valid from: 24.01.2024	AB-PB-(L*)PUR-M12FS	

Mechanical properties

Jack

Inflammability class in accordance with UL 94	HB
Contact, material	CuSn
Contact carrier, material	TPU GF
Contact surface, material	Ni/Au
Knurl, material	Zinc diecasting, nickel-plated
Handle, material	TPU, flame retardant, self-extinguishing
Seal, material	NBR


Line

Cable construction	2 x AWG24 / 19
Signal line, construction	19 x 0,13 mm
Conductor cross-section	0,25 mm ²
Conductor diameter including isolation	2,55 mm ± 0,07 mm
Cable outer diameter	7,8 mm ± 0,2 mm
Insulation color	red, green
Sheath color	purple, RAL 4001
Shielding	Plastic-laminated aluminum foil, braiding of tinned copper wires
Number of bending cycles	4.000.000
Bending radius	65 mm
Traveling distance	4,5 m
Traveling speed	3 m/s
Acceleration	3 m/s ²
Cable weight	90 kg/km
Outer coating, material	PUR
Wire insulation, material	foamed PE (data line) PE (power supply)
Insulation resistance	≥ 5 GΩ*km
Conductor resistance	≤ 78,6 Ω/km
Flame resistance	acc. to UL 1581 Section 1060 and UL 2556 Section 9.3 (FT1) UL 1581, Section 1100 and UL 2556, Section 9.1 (HFT/FT2) IEC 60332-1-2 nach ISO 6722-1 5.22 (UN ECE-R 118.01) acc. to DIN VDE 0472 Part 815 IEC 60754-1
Halogen-free	

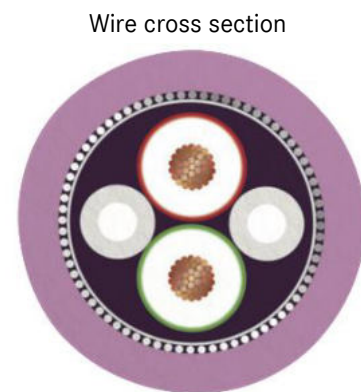
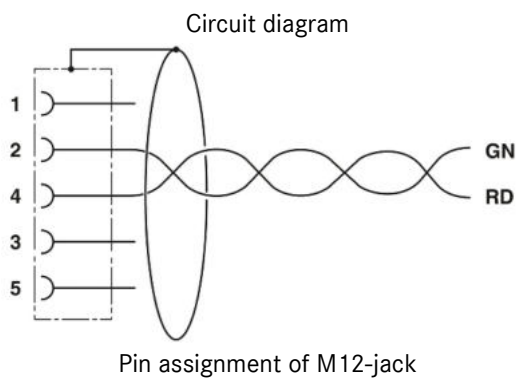
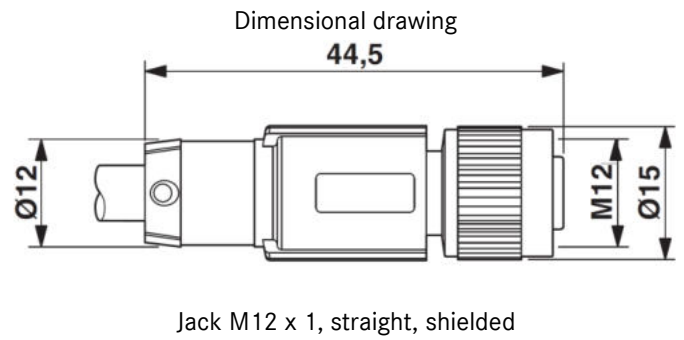
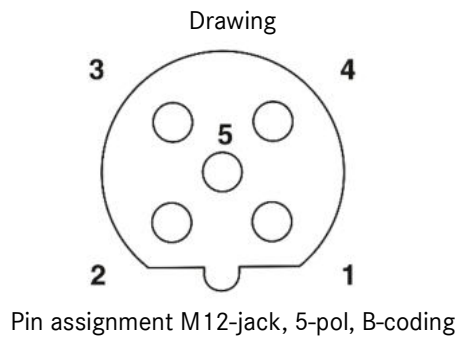
Standards/Approvals

Product standard, M12 connector	IEC 61076-2-101
---------------------------------	-----------------

Creator: THLE3/PDP Released: IVSE1/PDP	Document: DB22260770EN Version: 04	Page 2 of 3
---	---------------------------------------	-------------

22260770	DATA SHEET	
Valid from: 24.01.2024	AB-PB-(L*)PUR-M12FS	

Technical drawing



Application range

Automation, industrial machinery and plant engineering

Note

Photographs are not true to scale and do not represent detailed images of the respective products.

Creator: THLE3/PDP Released: IVSE1/PDP	Document: DB22260770EN Version: 04	Page 3 of 3
---	---------------------------------------	-------------