


24441263	DATA SHEET	
Valid from: 18.09.2020	EPIC® POWER LS1 D6 5+PE TWIST	

Description

- Circular connectors for servomotors and power supply
- High power at smallest installation space
- Optimal solution for electric motors
- EMC-optimised design
- Safety use in field environment by high protection class
- Quick and secure locking with bayonet lock



General Characteristics

Series	POWER LS 1
Version	Cable connector for female contacts
Pin configuration	5+PE
Rated voltage (V)	630 V
Rated impulse voltage	6 kV
Rated current (A)	25A
Contact resistance	< 4 mOhm
Number of contacts	5+PE
Termination methods	Crimp termination: 0.5 – 2,5 mm ² Crimp termination: 4.0 mm ² (only 24441269)
Protection	IP 67 (latched)
Cycle of mechanical operation	500
Temperature range	-25°C to +125°C
Degree of soiling	3

Product Variation


Pack = 20 pieces: The contacts must be ordered separately

Article- Number	Article	Contacts included	Cable clamping range mm	Pin configuration
Type LS1 D6, Cable connector, 6-pin for female contacts				
24441263	LS1 D6	6	8,5 - 11	5+PE
24441264	LS1 D6		8,5 - 11	5+PE
24441265	LS1 D6	6	10,5 - 15,5	5+PE
24441266	LS1 D6		10,5 - 15,5	5+PE
24441267	LS1 D6	6	7,5 - 15,5	5+PE
24441268	LS1 D6		7,5 - 15,5	5+PE
24441269	LS1 D6 mit 2 mm contact for 4 mm ² termination	6	14 - 17	5+PE
24441270	LS1 D6		14 - 17	5+PE

Creator: STKU3/PDP Released: IVSE1/PDP	Document: DB24441263EN Version: 02	Page 1 of 3
---	---------------------------------------	-------------

We reserve all rights according to DIN ISO 16016.

PD 0019/05_04.18EN

24441263	DATA SHEET	
Valid from: 18.09.2020	EPIC® POWER LS1 D6 5+PE TWIST	

Materials and Surfaces

Housing	Nickel-plated zinc die-casting, nickel-plated brass
Insert	PA
Seal	FPM
Contacts	Brass
Contact surface	Au

Approvals

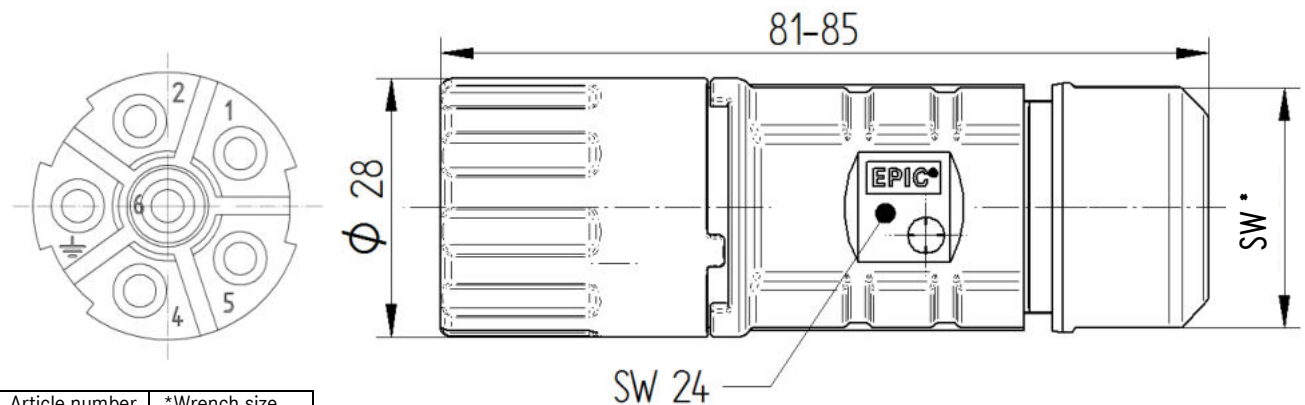
UL E-File Number E249137

Standard

Safety Standard IEC 61984; UL 2238; CSA 22.2 182.3



Technical Drawings



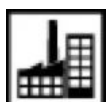
Article number	*Wrench size
24441263	26
24441264	26
24441265	26
24441266	26
24441267	27
24441268	27
24441269	27
24441270	27



Good chemical resistance




Corrosion-resistant



Industrial machinery and plant engineering

Creator: STKU3/PDP Released: IVSE1/PDP	Document: DB24441263EN Version: 02	Page 2 of 3
---	---------------------------------------	-------------

24441263	DATA SHEET	
Valid from: 18.09.2020	EPIC® POWER LS1 D6 5+PE TWIST	



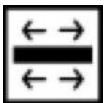
Maximum vibration protection



Mechanical resistance



Assembly time



Optimum strain relief



Space requirement



Robust



Waterproof



Wind Energy

Application range

Plant engineering
Servo drives and servo assemblies

Remark

Photographs are not to scale and do not represent detailed images of the respective products.

Creator: STKU3/PDP Released: IVSE1/PDP	Document: DB24441263EN Version: 02	Page 3 of 3
---	---------------------------------------	-------------