


6180 3808	<b>DATA SHEET</b>	
Valid from: 03.07.2018	<b>SILVYN® COMPACT 90° M</b>	

The SILVYN® COMPACT 90° M is a conduit gland that provides optimum assembly conditions due to the compact dimensions. In combination with liquid-tight conduits (galvanized steel tube with coating), it forms an easy to install system with high protection degree.



**Material:**

Body	Brass, nickel plated
Pressure Nut	Brass, nickel plated
Sleeve	Steel, galvanized
Clamping ring	Polyamide 6
Sealing	NBR

**Technical Features:**

Connecting thread	M16x1,5 up to M63x1,5 acc. to EN 60423
Nominal wide	NW 3/8" up to NW 2"
Protection class	IP67 acc. to EN 60529
Temperature range	Depending on the used conduit -45°C up to +105°C

**Additional features:**

Corrosion resistant



**Approbation:**


**Reference standards:**

IEC 61386-1

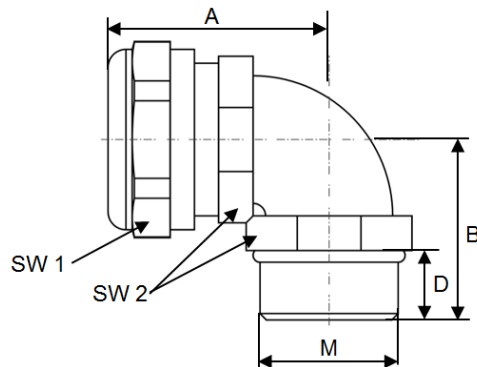
**Suitable conduits:**

- SILVYN® HTDL
- SILVYN® EF
- SILVYN® OR
- SILVYN® HCX
- SILVYN® HFX
- SILVYN® HFX-V0
- SILVYN® ZHLS

Creator: MAU1/PDP Released: DAMU1/PDP	Document: DB61803808EN Version: 04	Page 1 of 2
--	---------------------------------------	-------------

6180 3808	<b>DATA SHEET</b>	
Valid from: 03.07.2018	<b>SILVYN® COMPACT 90° M</b>	

**Product drawing:**



**Dimension table:**

Part No.	NW	Thread M	Thread Length D mm	Length A mm	Length B mm	Inner Diameter mm	SW1	SW2	Weight g/stk.
6180 3808	3/8"	M16x1,5	10,0	31,0	26,0	11,0	26	22	66
6180 3809	3/8"	M20x1,5	10,0	32,0	26,0	11,0	26	24	79
6180 3810	1/2"	M20x1,5	10,0	34,0	28,0	14,5	29	27	92
6180 3811	3/4"	M25x1,5	10,0	40,0	32,0	19,4	35	33	162
6180 3812	1"	M32x1,5	12,0	49,0	40,0	24,7	45	42	278
6180 3813	1 1/4"	M40x1,5	13,0	53,0	46,0	33,3	53	52	401
6180 3814	1 1/2"	M50x1,5	14,0	57,0	52,0	38,0	62	60	575
6180 3815	2"	M63x1,5	16,0	68,0	62,0	49,0	76	72	906

For more information please see our current catalogue. Please do not hesitate to contact our laboratory if there are any questions regarding resistance against aggressive agents and special oil.

Creator: MAU1/PDP Released: DAMU1/PDP	Document: DB61803808EN Version: 04	Page 2 of 2
--	---------------------------------------	-------------