
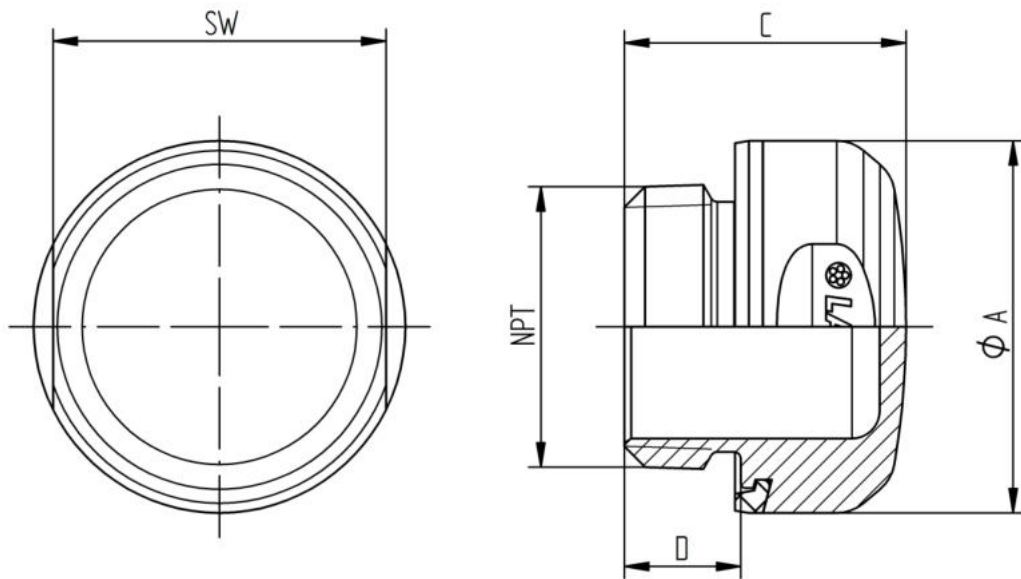


52103494	DATA SHEET	
Valid from: 30.09.2024	SKINDICHT® HYGIENIC BL-NPT	

Technical drawing:



Dimension Table

Part No.	Article description	NPT	SW [mm]	Ø A [mm]	C [mm]	D [mm]
52103494	SKINDICHT HYGIENIC BL-NPT 1/4"	1/4"	16	18,8	17,4	7,2
52103495	SKINDICHT HYGIENIC BL-NPT 3/8"	3/8"	20	22,8	18,7	7,8
52103496	SKINDICHT HYGIENIC BL-NPT 1/2"	1/2"	24	26,8	20,3	8,4
52103497	SKINDICHT HYGIENIC BL-NPT 3/4"	3/4"	29	31,8	21,5	8,8
52103498	SKINDICHT HYGIENIC BL-NPT 1"	1"	36	39,6	23,5	10
52103499	SKINDICHT HYGIENIC BL-NPT 1 1/4"	1 1/4"	45	49	24,7	10,2

For more information please see our current catalogue. Please do not hesitate to contact our laboratory if there are any questions regarding resistance against aggressive agents and special oil.

Creator: MAU1/PDP Released: DAMU1/PDP	Document: DB52103494EN Version: 04	Page 2 of 2
--	---------------------------------------	-------------