

52004230	<b>DATA SHEET</b>	
Valid from: 03.07.2018	<b>SKINDICHT® SK</b>	

The SKINDICHT® SK is equipped with two solid brass saddle clamps, which guarantee reliable strain relief. The arrangement of the double cleats provides a wide range with central cable clamping.  
This cable gland is particularly suitable for use in plugs, switches and control panels.



**Components:**

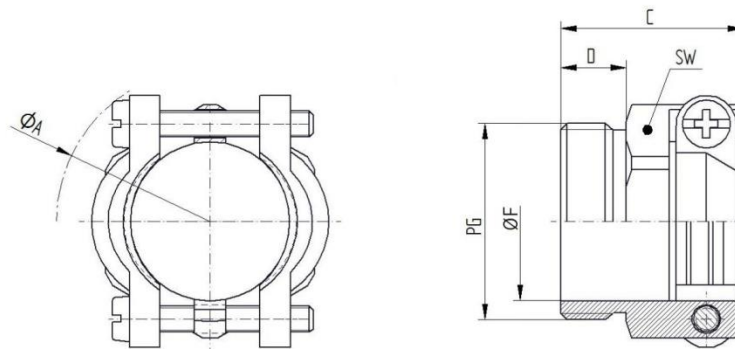
Pressure screw	Brass, nickel-plated
Saddle clamp	Brass, nickel-plated
Thread screws	Brass, nickel-plated

**Technical features:**

Connecting thread	PG9 up to PG29 acc. to DIN 40430
Protection class	IP20 acc. to EN 60529
Temperature range	-60°C up to +200°C



**Norm references:**



PG	SW mm	Ø A mm	C mm	D mm	Clamping range Ø F mm	Part No.
PG9	17	28	16,5	6,0	6 - 12	52004230
PG11	20	30	17	6,0	7 - 15	52004240
PG13,5	22	34	19,5	7,5	12 - 16	52004250
PG16	24	36	21	7,5	13 - 18	52004260
PG21	30	46	23,5	8,0	15 - 23	52004270
PG29	41	58	25,8	8,0	20 - 31	51712740

For more information please see our current catalogue. Please do not hesitate to contact our laboratory if there are any questions regarding resistance against aggressive agents and special oil.

Creator: M. Wegerer /PDP Released: DAMU1/PDP	Document: DB52004230EN Version: 03	Page 1 of 1
---	---------------------------------------	-------------