


| | | |
|---------------------------|------------------------------------|---|
| 52106700 | DATA SHEET |  |
| Valid from: 06.06.2023 | SKINDICHT® SHZ-M / SHZ-M-XL | |

The SKINDICHT® SHZ-M / SHZ-M-XL are compact brass cable glands with a single clamp for reliable strain relief. Sealing is achieved by an incised sealing ring and an O-ring fitted at the connecting thread. The cable gland is particularly suitable for use in plugs, switches and control panels. The SKINDICHT® SHZ-M-XL is constructed identically as SKINDICHT® SHZ-M, but with long connecting thread.



Components:

| | |
|----------------------------------|----------------------|
| Gland body | Brass, nickel-plated |
| Pressure screw with single clamp | Brass, nickel-plated |
| Incised sealing ring | CR |
| Pressure washers | Steel, zinc-plated |
| O-Ring | NBR |

Technical features:


| | |
|-------------------|--|
| Connecting thread | M12x1,5 up to M63x1,5 acc. to EN 60423 |
| Protection class | IP55 acc. to EN 60529 |
| Temperature range | -20 °C up to +80 °C |

Norm references:

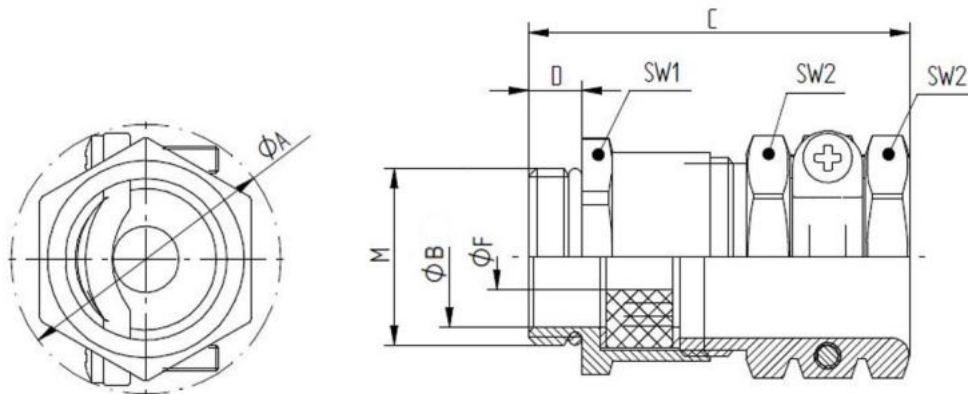


For more information please see our current catalogue. Please do not hesitate to contact our laboratory if there are any questions regarding resistance against aggressive agents and special oil.

| | | |
|--|---------------------------------------|-------------|
| Creator: FICE1 /PDP Released: VACH1/PDP | Document: DB52106700EN Version: 03 | Page 1 of 2 |
|--|---------------------------------------|-------------|

| | | |
|---------------------------|------------------------------------|---|
| 52106700 | DATA SHEET |  |
| Valid from: 06.06.2023 | SKINDICHT® SHZ-M / SHZ-M-XL | |

Product drawing:



Dimension tables:

SKINDICHT® SHZ-M

| M | SW1 [mm] | SW2 [mm] | Ø A [mm] | C [mm] max | D [mm] | Ø F [mm] Incised sealing ring | Ø B [mm] | O-Ring [mm] | Article No. |
|---------|----------|----------|----------|------------|--------|-------------------------------|----------|-------------|-------------|
| M12x1,5 | 14 | 15 | 24 | 30,0 | 5 | 5 | 8 | 9x1,5 | 52106700 |
| M16x1,5 | 18 | 17 | 28 | 33,0 | 5 | 5/8 | 10 | 13x1,5 | 52106710 |
| M20x1,5 | 22 | 20 | 30 | 35,0 | 6 | 7/10/12,5 | 12 | 17x1,5 | 52106720 |
| M20x1,5 | 22 | 22 | 34 | 39,5 | 6 | 7/10,5/13/16 | 14 | 17x1,5 | 52106730 |
| M20x1,5 | 24 | 24 | 36 | 41,5 | 6 | 8/10,5/13,5/16 | 15 | 17x1,5 | 52106740 |
| M25x1,5 | 30 | 30 | 46 | 47,5 | 7 | 11/15/18/20 | 20 | 22x2 | 52106750 |
| M32x1,5 | 40 | 41 | 59 | 53,0 | 8 | 18/23/27/31 | 27 | 28x2 | 52106760 |
| M40x1,5 | 50 | 50 | 73 | 60,0 | 8 | 24/28/31/35 | 34 | 36x2 | 52106770 |
| M50x1,5 | 57 | 57 | 79 | 65,0 | 9 | 30/35,5/39/42,5/46 | 43 | 46x2 | 52106780 |
| M63x1,5 | 66 | 64 | 87 | 68,0 | 10 | 36/40/44/47/50,5 | 48 | 57x2 | 52106790 |

SKINDICHT® SHZ-M-XL

| M | SW1 [mm] | SW2 [mm] | Ø A [mm] | C [mm] max | D [mm] | Ø F [mm] Incised sealing ring | Ø B [mm] | O-Ring [mm] | Article No. |
|---------|----------|----------|----------|------------|--------|-------------------------------|----------|-------------|-------------|
| M12x1,5 | 14 | 15 | 24 | 35,0 | 10 | 5 | 8 | 9x1,5 | 52106705 |
| M16x1,5 | 18 | 17 | 28 | 38,0 | 10 | 5/8 | 10 | 13x1,5 | 52106715 |
| M20x1,5 | 22 | 20 | 30 | 39,0 | 10 | 7/10/12,5 | 12 | 17x1,5 | 52106725 |
| M20x1,5 | 22 | 22 | 34 | 43,5 | 10 | 7/10,5/13/16 | 14 | 17x1,5 | 52106735 |
| M20x1,5 | 24 | 24 | 36 | 45,5 | 10 | 8/10,5/13,5/16 | 15 | 17x1,5 | 52106745 |
| M25x1,5 | 30 | 30 | 46 | 51,0 | 11 | 11/15/18/20 | 20 | 22x2 | 52106755 |
| M32x1,5 | 40 | 41 | 59 | 58,0 | 13 | 18/23/27/31 | 27 | 28x2 | 52106765 |
| M40x1,5 | 50 | 50 | 73 | 67,0 | 13 | 24/28/31/35 | 34 | 36x2 | 52106775 |
| M50x1,5 | 57 | 57 | 79 | 70,0 | 14 | 30/35,5/39/42,5/46 | 43 | 46x2 | 52106785 |
| M63x1,5 | 66 | 64 | 87 | 73,0 | 14 | 36/40/44/47/50,5 | 48 | 57x2 | 52106795 |